

# TM 10



## Short description

Disk valve for exhaust air, enameled white steel sheet, with mounting frame, DN 100, for domestic ventilation max. 30 m<sup>3</sup>/h

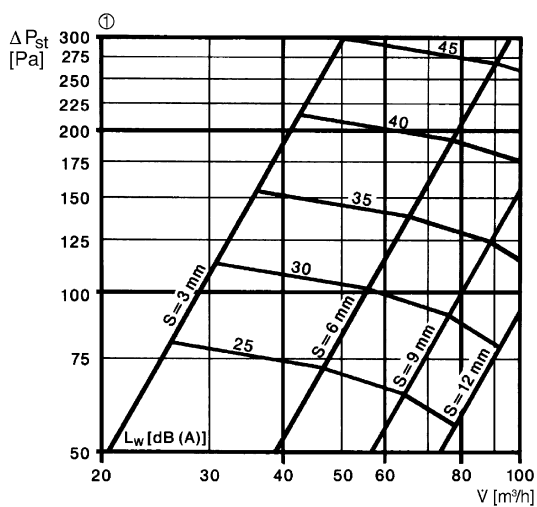
Article number 0151.0194

## Technical data

Air direction	Air extraction
Max. volumetric flow	30 m <sup>3</sup> /h
Material	Sheet steel, stove-enameled
Colour	Pure white, similar to RAL 9010
Weight	0,41 kg
Weight including packaging	0,41 kg
Suitable for nominal size	100 mm
Width	134 mm
Height	134 mm
Depth	83 mm
Width with packaging	140 mm
Height with packaging	140 mm
Depth with packaging	120 mm
Packing unit	1 piece
Range	C
GTIN (EAN)	4012799511946

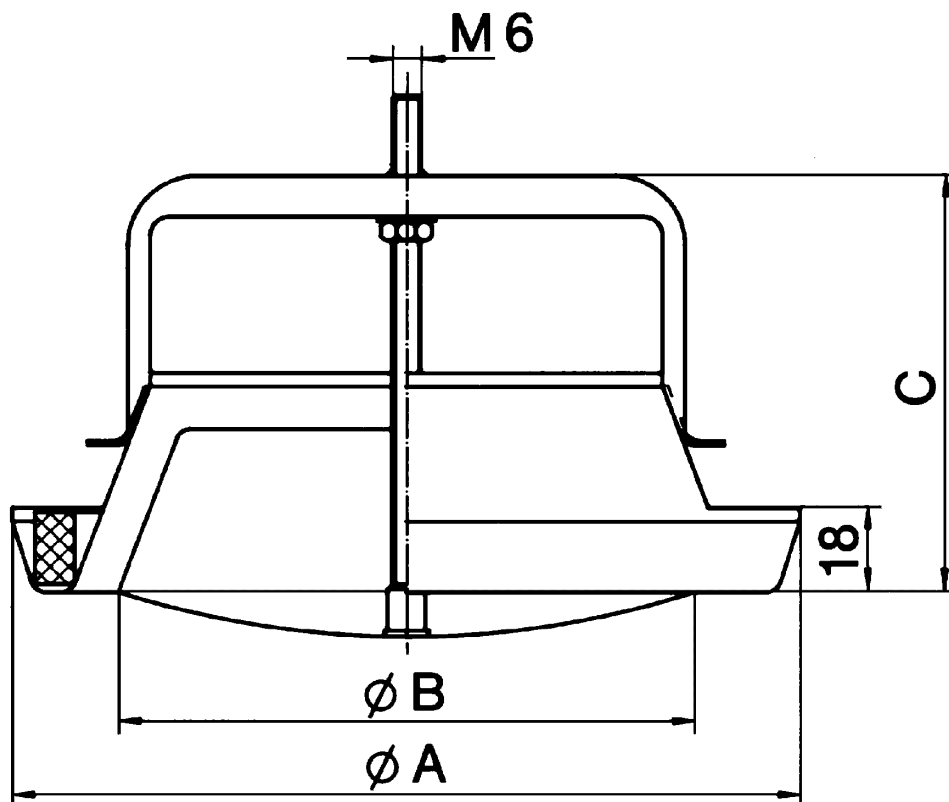
# TM 10

Characteristic curve Pressure difference and acoustic data: TM 10



① Valve cone position, S = gap width

Dimensioned drawing [mm]





# TM 10

A	B	C
134	87	83