

TM 12



Short description

Disk valve for exhaust air, enamelled white steel sheet, with mounting frame, DN 125, for domestic ventilation max. 60 m³/h

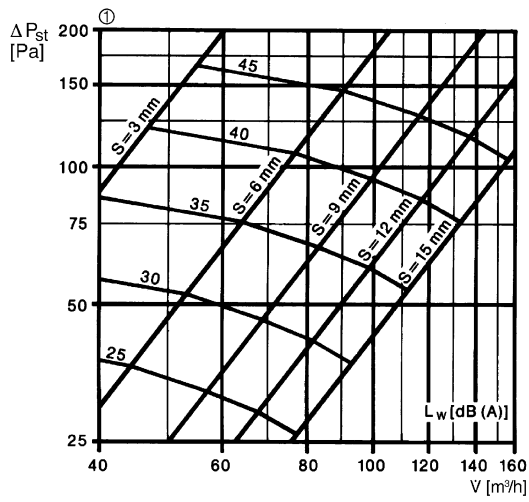
Article number 0151.0196

Technical data

Air direction	Air extraction
Max. volumetric flow	60 m ³ /h
Material	Sheet steel, stove-enamelled
Colour	Pure white, similar to RAL 9010
Weight	0,52 kg
Weight including packaging	0,54 kg
Suitable for nominal size	125 mm
Width	162 mm
Height	162 mm
Depth	98 mm
Width with packaging	165 mm
Height with packaging	165 mm
Depth with packaging	120 mm
Packing unit	1 piece
Range	C
GTIN (EAN)	4012799511960

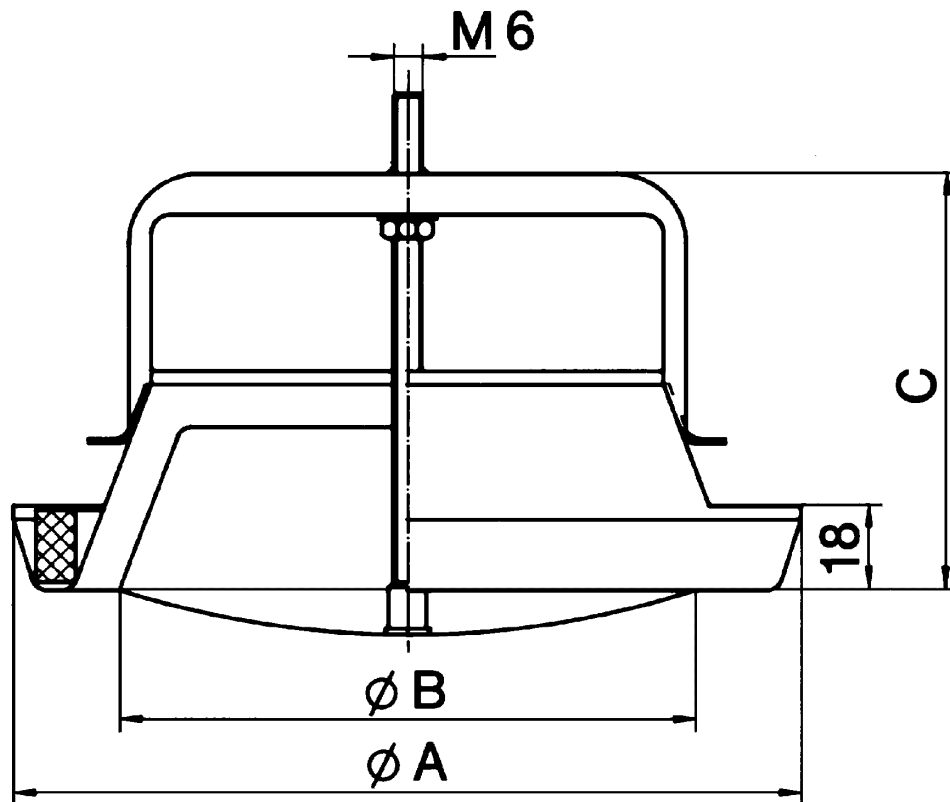
TM 12

Characteristic curve Pressure difference and acoustic data: TM 12



① Valve cone position, S = gap width

Dimensioned drawing [mm]





TM 12

A	B	C
162	108	98