

TM 15



Short description

Disk valve for exhaust air, enameled white steel sheet, with mounting frame, DN 150 for domestic ventilation max. 150 m³/h (Please note pressure losses and noise values)

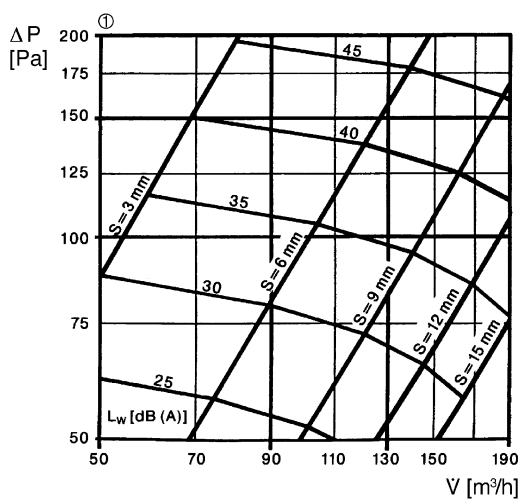
Article number 0151.0195

Technical data

Air direction	Air extraction
Max. volumetric flow	150 m ³ /h
Material	Sheet steel, stove-enameled
Colour	Pure white, similar to RAL 9010
Weight	0,66 kg
Weight including packaging	0,68 kg
Suitable for nominal size	150 mm
Width	183 mm
Height	183 mm
Depth	97 mm
Width with packaging	185 mm
Height with packaging	185 mm
Depth with packaging	140 mm
Packing unit	1 piece
Range	C
GTIN (EAN)	4012799511953

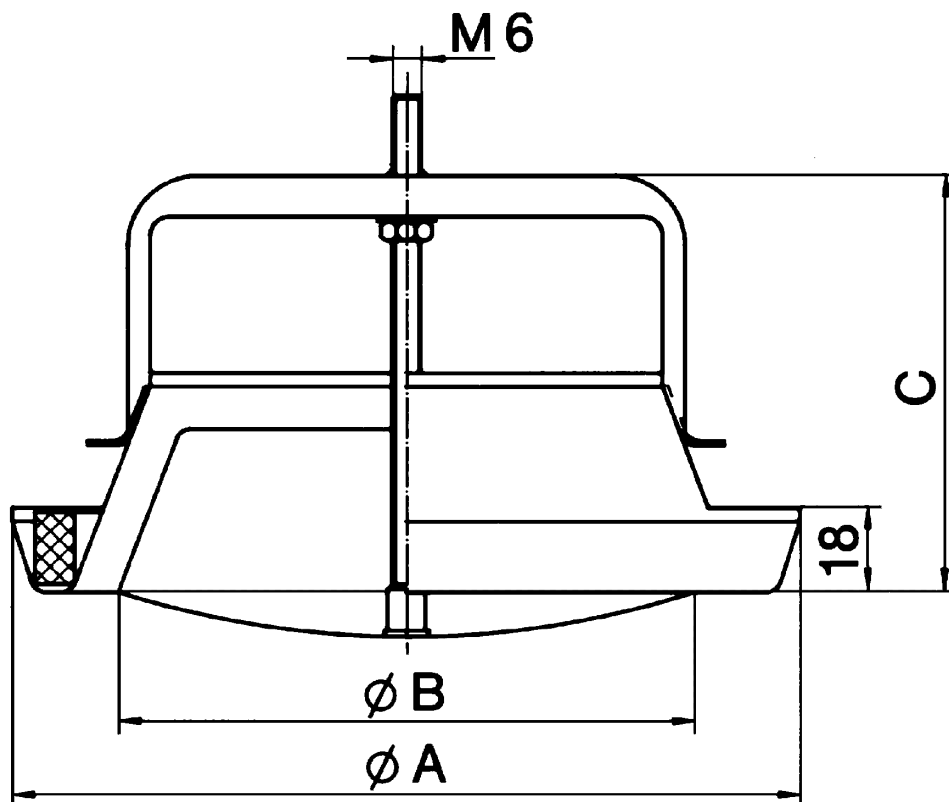
TM 15

Characteristic curve Pressure difference and acoustic data: TM 15



① Valve cone position, S = gap width

Dimensioned drawing [mm]





TM 15

A	B	C
183	130	97