

TM 16



Short description

Disk valve for exhaust air, enamelled white steel sheet, with mounting frame, DN 160 for domestic ventilation max. 160 m³/h (Please note pressure losses and noise values)

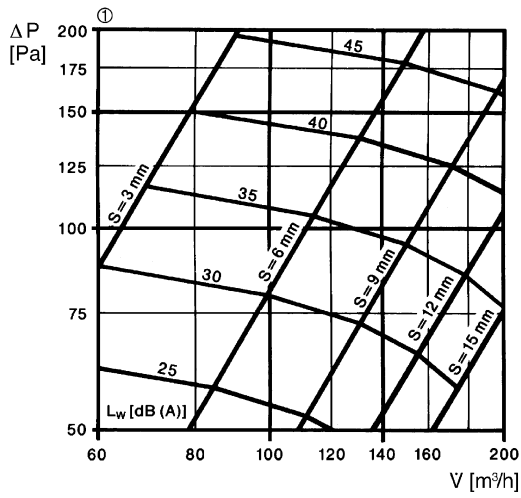
Article number 0151.0197

Technical data

Air direction	Air extraction
Max. volumetric flow	160 m ³ /h
Material	Sheet steel, stove-enamelled
Colour	Pure white, similar to RAL 9010
Weight	0,74 kg
Weight including packaging	0,75 kg
Suitable for nominal size	160 mm
Width	194 mm
Height	194 mm
Depth	93 mm
Width with packaging	195 mm
Height with packaging	195 mm
Depth with packaging	133 mm
Packing unit	1 piece
Range	C
GTIN (EAN)	4012799511977

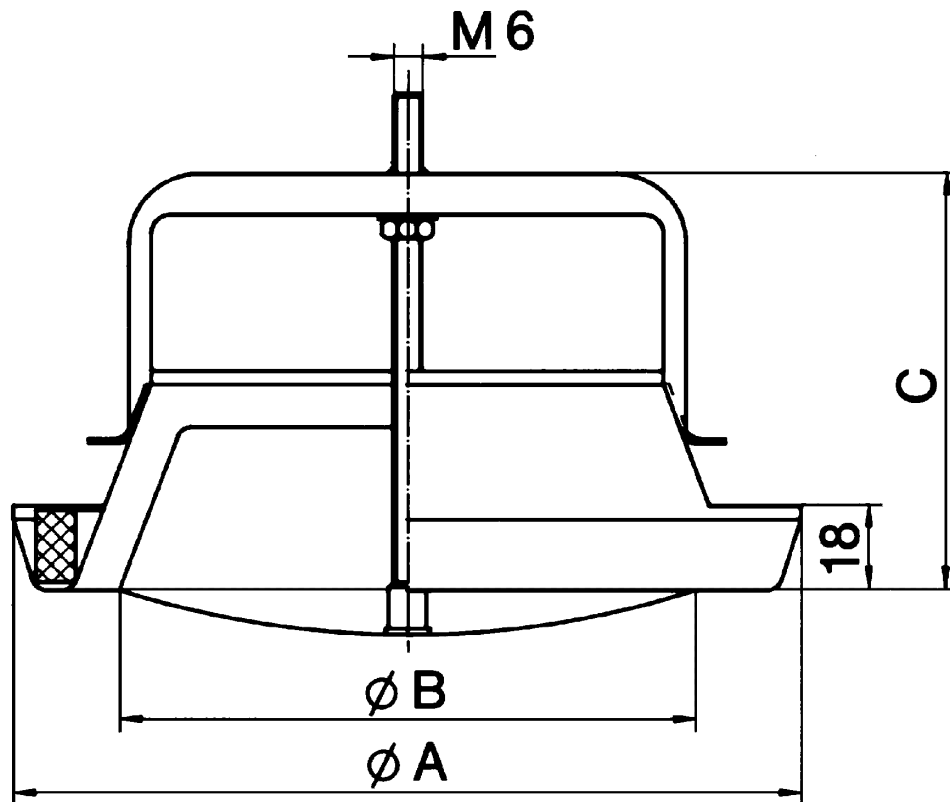
TM 16

Characteristic curve Pressure difference and acoustic data: TM 16



① Valve cone position, S = gap width

Dimensioned drawing [mm]





TM 16

A	B	C
194	135	93