

URRI 10



Short description

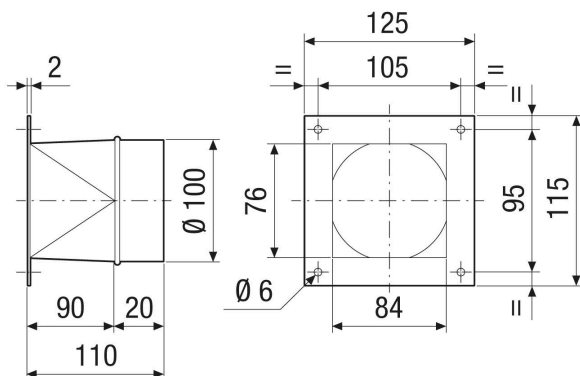
Rectangular to round transition adapter, coated sheet steel, to DN 100

Article number 0073.0297

Technical data

Type of installation	Recessed-mounted
Material	Sheet steel, coated
Colour	grey
Weight	0,47 kg
Weight including packaging	0,47 kg
Suitable for nominal size	100 mm
Width	125 mm
Height	115 mm
Depth	110 mm
Width with packaging	125 mm
Height with packaging	115 mm
Depth with packaging	110 mm
Packing unit	1 piece
Range	C
GTIN (EAN)	4012799732976

Dimensioned drawing [mm]



URRI 10

