

# URRI 16



## Short description

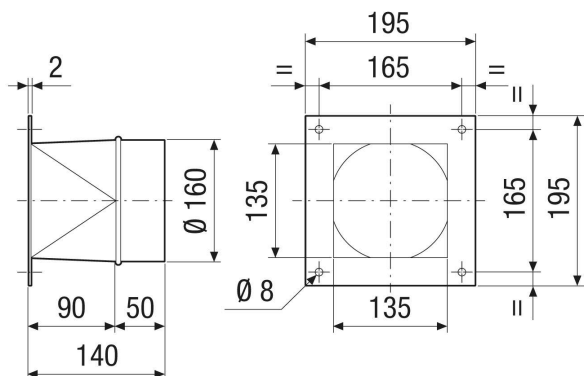
Rectangular to round transition adapter, coated sheet steel, to DN 160

Article number 0073.0300

## Technical data

Type of installation	Recessed-mounted
Material	Sheet steel, coated
Colour	grey
Weight	1,05 kg
Weight including packaging	1,05 kg
Suitable for nominal size	160 mm
Width	195 mm
Height	195 mm
Depth	140 mm
Width with packaging	195 mm
Height with packaging	195 mm
Depth with packaging	140 mm
Packing unit	1 piece
Range	C
GTIN (EAN)	4012799733003

## Dimensioned drawing [mm]



# URRI 16

