

URRI GR 20



Short description

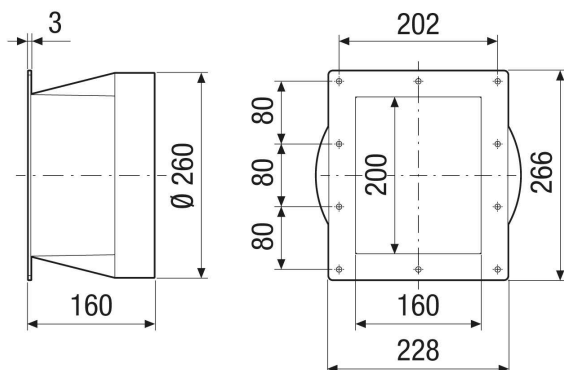
Rectangular to round transition adapter, plastic, to DN 200

Article number 0073.0312

Technical data

Type of installation	Recessed-mounted
Material	Synthetic material
Colour	grey
Weight	0,61 kg
Weight including packaging	0,61 kg
Suitable for nominal size	200 mm
Width	228 mm
Height	266 mm
Depth	160 mm
Width with packaging	228 mm
Height with packaging	266 mm
Depth with packaging	160 mm
Packing unit	1 piece
Range	C
GTIN (EAN)	4012799733126

Dimensioned drawing [mm]



URRI GR 20

