

# URRI GR 25



## Short description

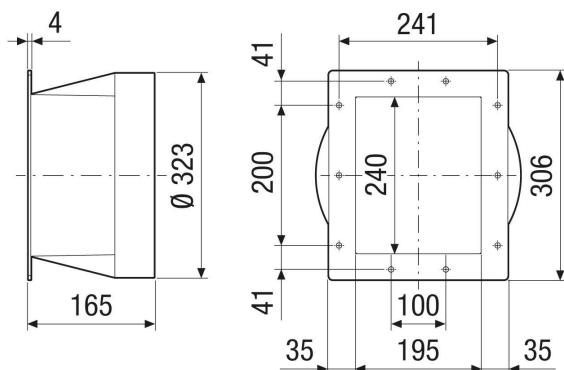
Rectangular to round transition adapter, plastic, to DN 250

Article number 0073.0313

## Technical data

Type of installation	Recessed-mounted
Material	Synthetic material
Colour	grey
Weight	1,1 kg
Weight including packaging	1,1 kg
Suitable for nominal size	250 mm
Width	265 mm
Height	306 mm
Depth	165 mm
Width with packaging	265 mm
Height with packaging	306 mm
Depth with packaging	165 mm
Packing unit	1 piece
Range	C
GTIN (EAN)	4012799733133

## Dimensioned drawing [mm]



# URRI GR 25

