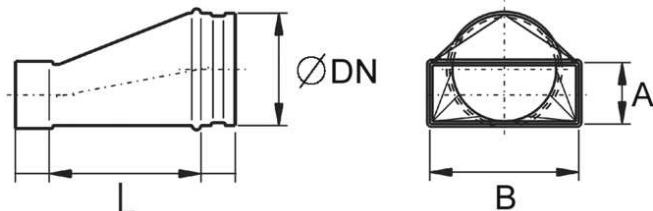


USAN55/220/125

Short description

Assymmetric intermediate piece 55/220, where D = 125 mm,

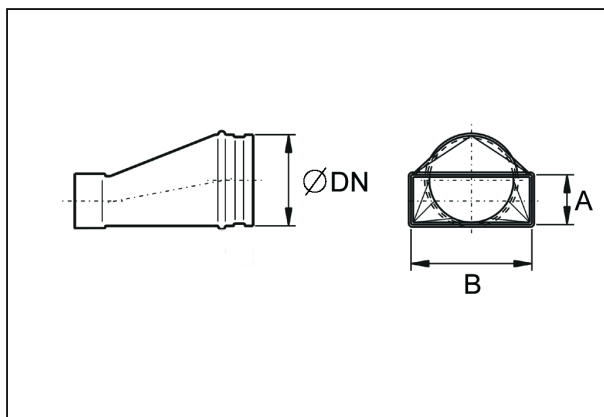


Article number 0055.0661

Technical data

Nominal size	125 mm
Channel dimension	220 mm x x 55 mm
Packing unit	1 piece
Range	K
GTIN (EAN)	4012799556619

Dimensioned drawing [mm]



DN	A	B
125	55	220