

USAN55/220/80

Short description

Asymmetrical transition piece 55/220, where D = 80mm

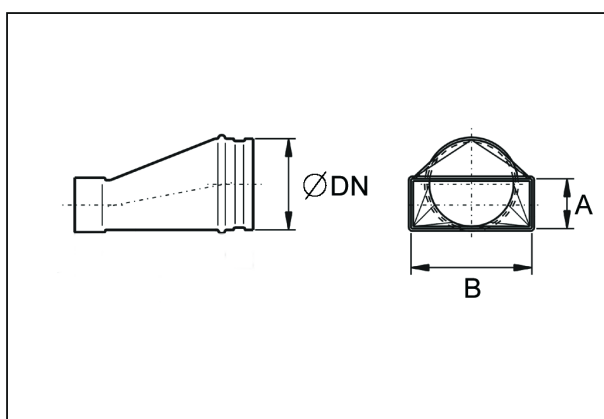


Article number 0055.0659

Technical data

Material	Sheet steel, Sendzimir galvanised
Weight including packaging	0 kg
Width with packaging	0 mm
Height with packaging	0 mm
Depth with packaging	0 mm
Packing unit	1 piece
Range	K
GTIN (EAN)	4012799556596

Dimensioned drawing [mm]



DN	A	B
80	55	220