

USAN70/170/100

Short description

Asymmetrical transition piece 70/170, where D = 100 mm,

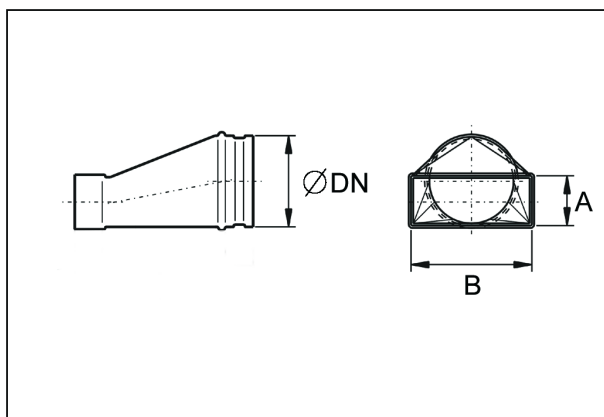


Article number 0055.0663

Technical data

Material	Sheet steel, Sendzimir galvanised
Weight including packaging	0 kg
Nominal size	100 mm
Channel dimension	170 mm x x 70 mm
Width with packaging	0 mm
Height with packaging	0 mm
Depth with packaging	0 mm
Packing unit	1 piece
Range	K
GTIN (EAN)	4012799556633

Dimensioned drawing [mm]



DN	A	B
100	70	170