

# USAN70/170/125

## Short description

Asymmetrical transition piece 70/170, where D = 125mm,

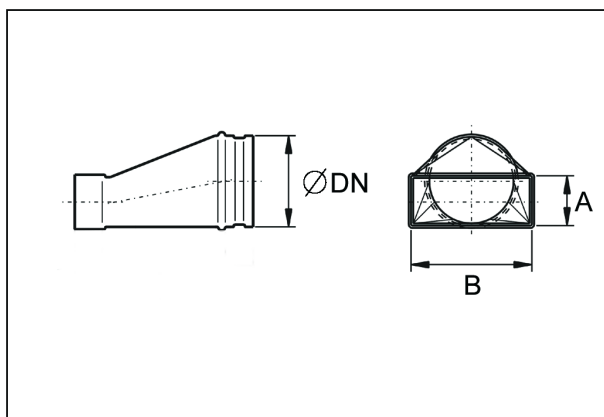


Article number 0055.0664

## Technical data

Material	Sheet steel, Sendzimir galvanised
Weight including packaging	0 kg
Nominal size	125 mm
Channel dimension	170 mm x x 70 mm
Width with packaging	0 mm
Height with packaging	0 mm
Depth with packaging	0 mm
Packing unit	1 piece
Range	K
GTIN (EAN)	4012799556640

## Dimensioned drawing [mm]



DN	A	B
125	70	170