

# USAN80/100/80

## Short description

Asymmetrical transition piece 80/100, where D = 80mm

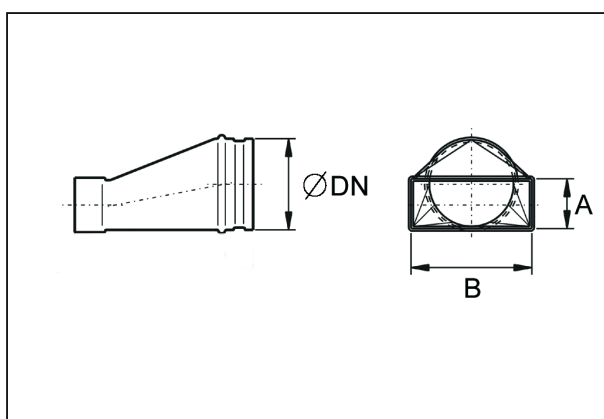


Article number 0055.0665

## Technical data

Material	Sheet steel, Sendzimir galvanised
Weight including packaging	0 kg
Width with packaging	0 mm
Height with packaging	0 mm
Depth with packaging	0 mm
Packing unit	1 piece
Range	K
GTIN (EAN)	4012799556657

## Dimensioned drawing [mm]



DN	A	B
80	80	100