

USAN80/150/125

Short description

Asymmetric 80/150 to D=125 mm transition piece, sheet steel, Sendzimir galvanised, suited to connection with MF-WE slide-in adaptor

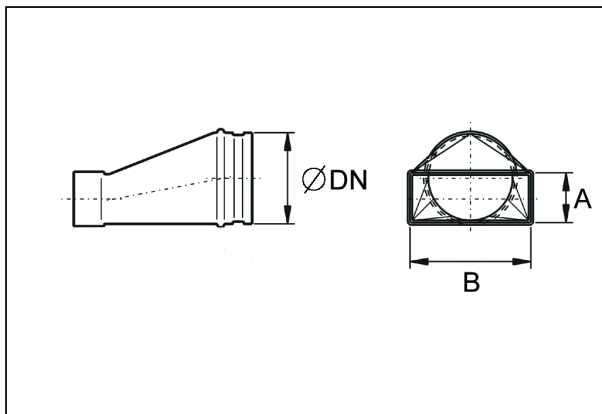


Article number 0055.0669

Technical data

Material	Sheet steel, Sendzimir galvanised
Weight including packaging	0,42 kg
Nominal size	125 mm
Channel dimension	150 mm x x 80 mm
Width with packaging	200 mm
Height with packaging	154 mm
Depth with packaging	122 mm
Packing unit	1 piece
Range	K
GTIN (EAN)	4012799556695

Dimensioned drawing [mm]



DN	A	B
125	80	150