

# USAN80/200/100



## Short description

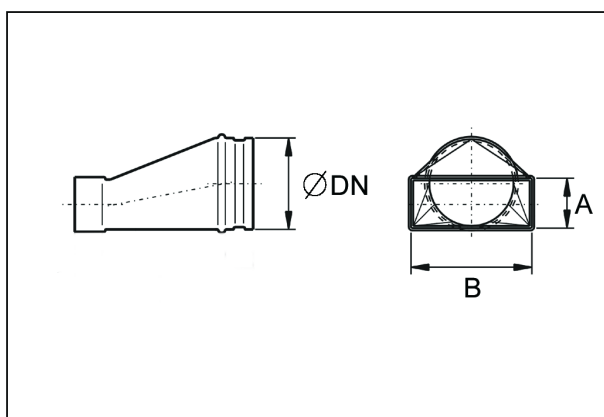
Asymmetric 80/200 to D=100 mm transition piece, sheet steel, Sendzimir galvanised, suited to connection with MF-WE slide-in adaptor

Article number 0055.0671

## Technical data

Type of installation	Recessed-mounted
Material	Sheet steel, Sendzimir galvanised
Weight	0,454 kg
Weight including packaging	0,454 kg
Nominal size	100 mm
Channel dimension	200 mm x x 80 mm
Width	202 mm
Height	103 mm
Depth	200 mm
Width with packaging	202 mm
Height with packaging	103 mm
Depth with packaging	200 mm
Packing unit	1 piece
Range	K
GTIN (EAN)	4012799556718

## Dimensioned drawing [mm]



DN	A	B
100	80	200

# USAN80/200/100

