

USAN80/200/125



Short description

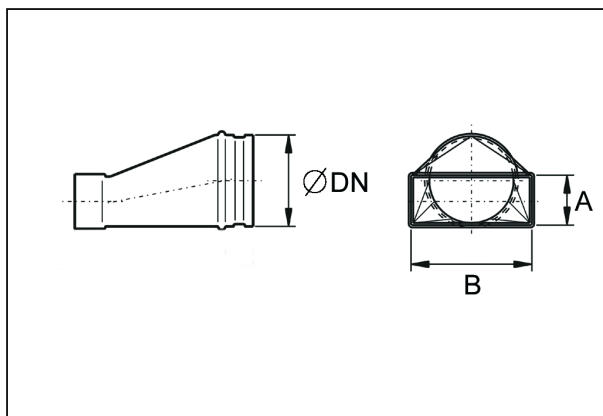
Asymmetric 80/200 to D=125 mm transition piece, sheet steel, Sendzimir galvanised, suited to connection with MF-WE slide-in adaptor

Article number 0055.0672

Technical data

Type of installation	Recessed-mounted
Material	Sheet steel, Sendzimir galvanised
Weight	0,58 kg
Weight including packaging	0,58 kg
Nominal size	125 mm
Channel dimension	200 mm x x 80 mm
Width	200 mm
Height	200 mm
Depth	130 mm
Width with packaging	200 mm
Height with packaging	200 mm
Depth with packaging	130 mm
Packing unit	1 piece
Range	K
GTIN (EAN)	4012799556725

Dimensioned drawing [mm]



DN	A	B
125	80	200

USAN80/200/125

