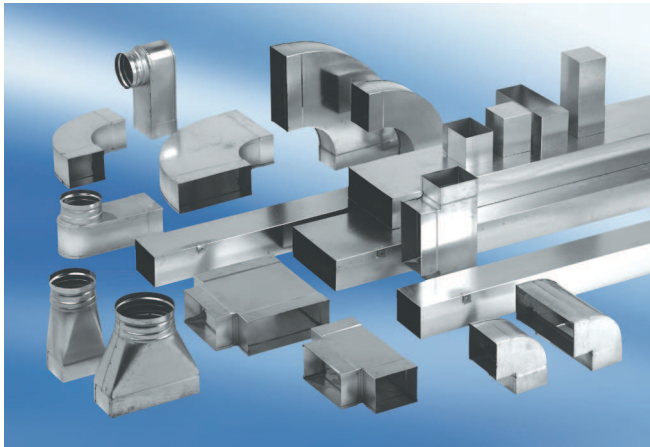


USSN55/110/100



Short description

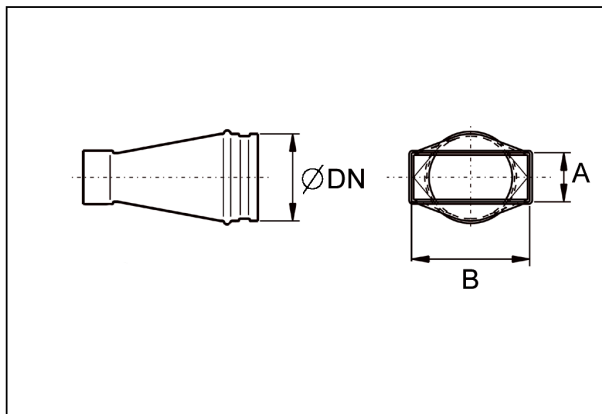
Symmetrical transition piece 55/110, where D = 100mm,

Article number 0055.0675

Technical data

Material	Sheet steel, Sendzimir galvanised
Weight including packaging	0 kg
Nominal size	100 mm
Channel dimension	110 mm x x 55 mm
Width with packaging	0 mm
Height with packaging	0 mm
Depth with packaging	0 mm
Packing unit	1 piece
Range	K
GTIN (EAN)	4012799556756

Dimensioned drawing [mm]



DN	A	B
100	55	110