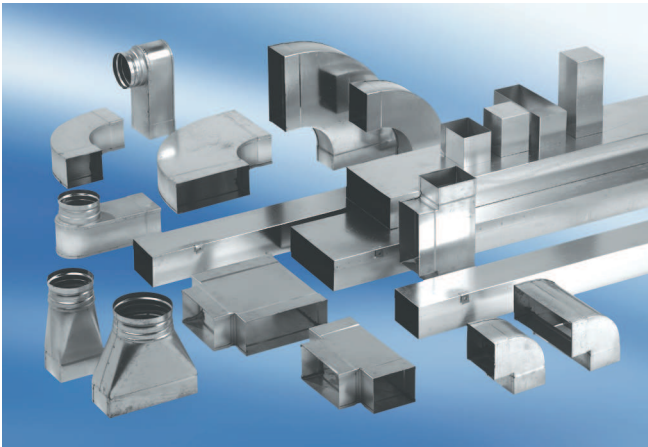


# USSN55/220/125



## Short description

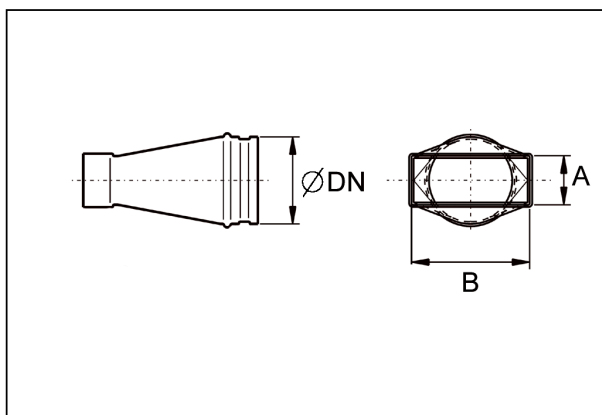
Symmetrical transition piece 55/220, where D = 125mm,

Article number 0055.0678

## Technical data

Material	Sheet steel, Sendzimir galvanised
Weight including packaging	0 kg
Nominal size	125 mm
Channel dimension	220 mm x x 55 mm
Width with packaging	0 mm
Height with packaging	0 mm
Depth with packaging	0 mm
Packing unit	1 piece
Range	K
GTIN (EAN)	4012799556787

## Dimensioned drawing [mm]



DN	A	B
125	55	220