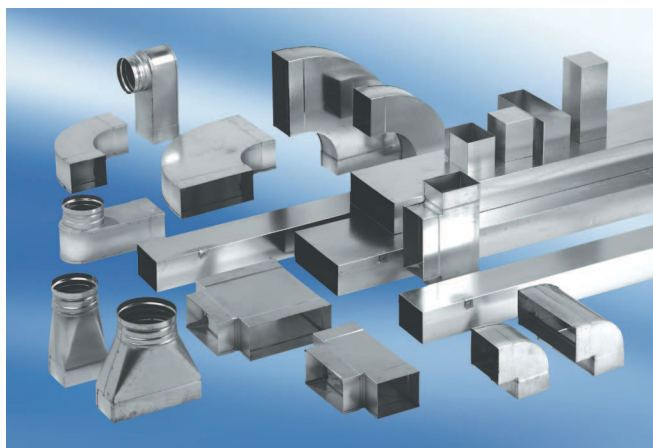


USSN55/220/80



Short description

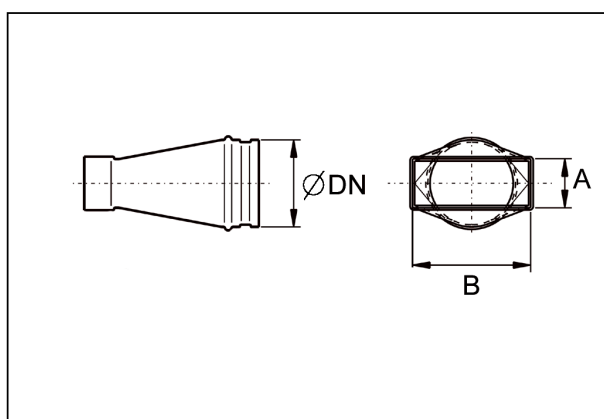
Symmetrical transition piece 55/220, where D = 80mm,

Article number 0055.0676

Technical data

Material	Sheet steel, Sendzimir galvanised
Weight including packaging	0 kg
Width with packaging	0 mm
Height with packaging	0 mm
Depth with packaging	0 mm
Packing unit	1 piece
Range	K
GTIN (EAN)	4012799556763

Dimensioned drawing [mm]



DN	A	B
80	55	220