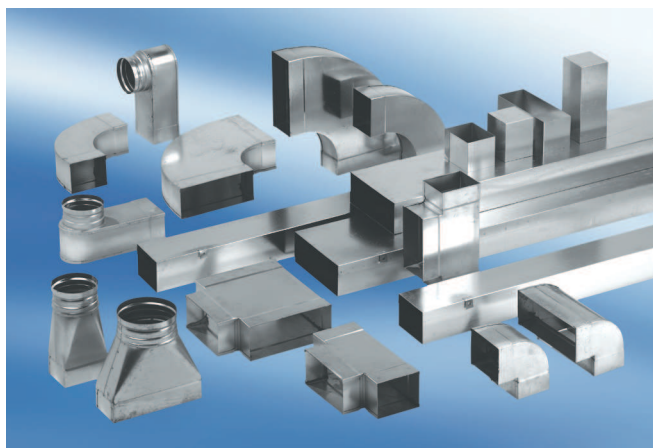


# USSN80/150/100



## Short description

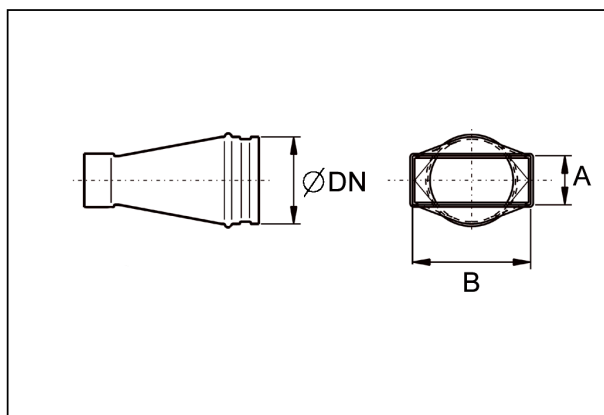
Intermediate piece 80/150, where D = 100 mm,

Article number 0055.0685

## Technical data

Material	Sheet steel, Sendzimir galvanised
Weight including packaging	0 kg
Nominal size	100 mm
Channel dimension	150 mm x x 80 mm
Width with packaging	0 mm
Height with packaging	0 mm
Depth with packaging	0 mm
Packing unit	1 piece
Range	K
GTIN (EAN)	4012799556855

## Dimensioned drawing [mm]



DN	A	B
100	80	150