

# VB 200



## Short description

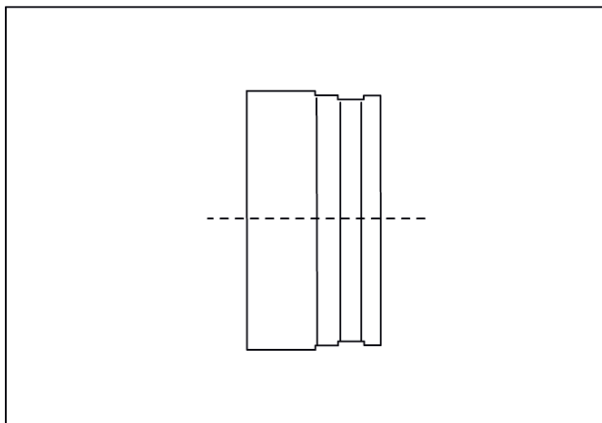
Connector for folded spiral-seam ducts, inside - outside, DN 200

Article number 0055.0196

## Technical data

Type of installation	Recessed-mounted
Ambient temperature	60 °C
Packing unit	1 piece
Range	K
GTIN (EAN)	4012799551966

## Dimensioned drawing [mm]



DN  
200