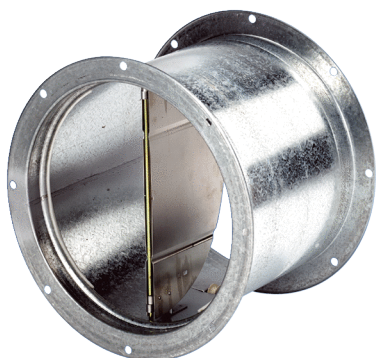


# VD 25



## Short description

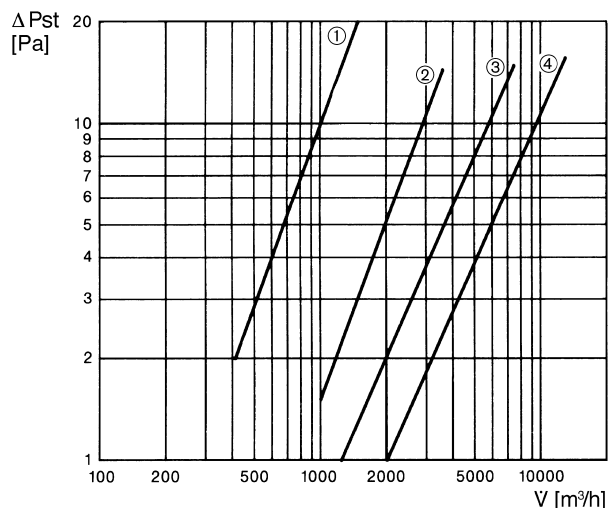
Shutter with pull device, airstream-operated opening, DN 250

Article number 0093.0101

## Technical data

Air direction	Air extraction
Material	Sheet steel
Weight	2,3 kg
Weight including packaging	2,3 kg
Type of shutter	Airstream-operated opening/closing
Suitable for nominal size	250 mm
Width with packaging	305 mm
Height with packaging	270 mm
Depth with packaging	305 mm
Packing unit	1 piece
Range	C
GTIN (EAN)	4012799931010

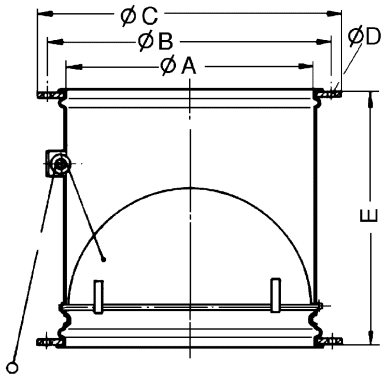
## Characteristic curve Pressure losses



- ① VD 25
- ② VD 30
- ③ VD 35, VD 40, VD 50
- ④ VD 60

# VD 25

Dimensioned drawing [mm]



A	B	C	D	E
263	286	304	7	270