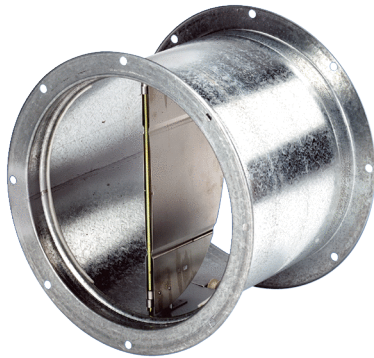


VD 30



Short description

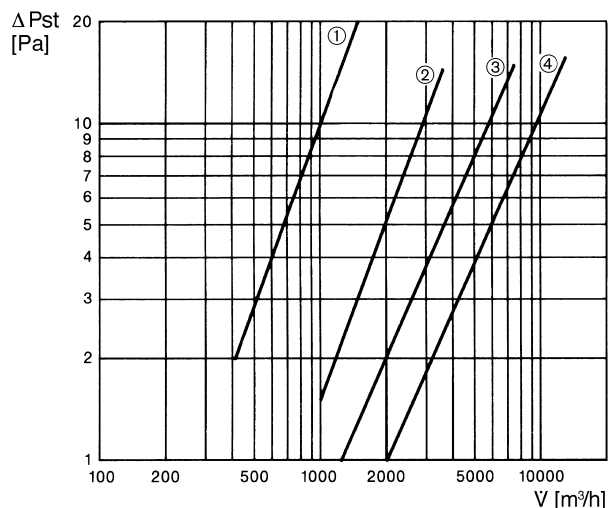
Shutter with pull device, airstream-operated opening

Article number 0093.0102

Technical data

Air direction	Air extraction
Material	Sheet steel
Weight	3,08 kg
Weight including packaging	3,13 kg
Type of shutter	Airstream-operated opening/closing
Suitable for nominal size	300 mm
Width with packaging	380 mm
Height with packaging	290 mm
Depth with packaging	380 mm
Packing unit	1 piece
Range	C
GTIN (EAN)	4012799931027

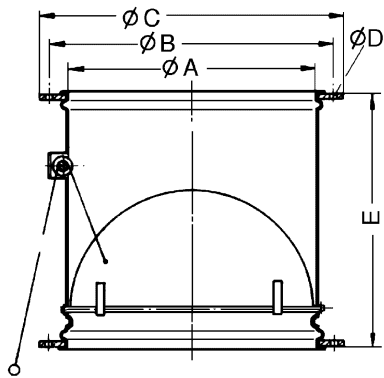
Characteristic curve Pressure losses



- ① VD 25
- ② VD 30
- ③ VD 35, VD 40, VD 50
- ④ VD 60

VD 30

Dimensioned drawing [mm]



A	B	C	D	E
313	356	380	9	290