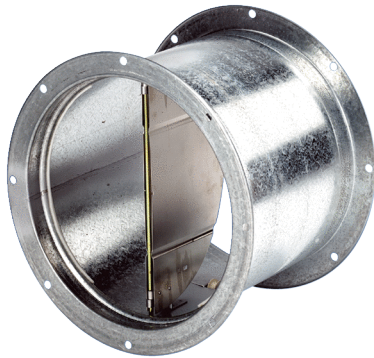


# VD 35



## Short description

Shutter with pull device, airstream-operated opening, DN 350

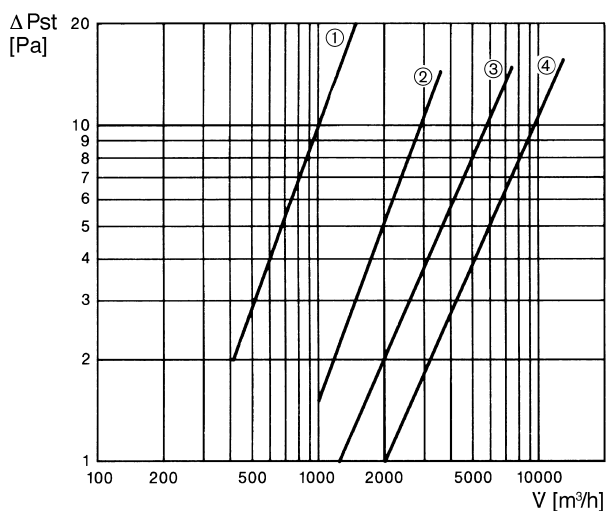
Article number 0093.0103

## Technical data

Air direction	Air extraction
Material	Sheet steel
Weight	3,8 kg
Weight including packaging	3,835 kg
Type of shutter	Airstream-operated opening/closing
Suitable for nominal size	350 mm
Width	420 mm
Height	420 mm
Depth	320 mm
Width with packaging	420 mm
Height with packaging	420 mm
Depth with packaging	320 mm
Packing unit	1 piece
Range	C
GTIN (EAN)	4012799931034

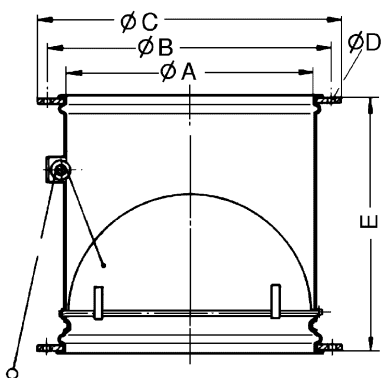
# VD 35

## Characteristic curve Pressure losses



- ① VD 25
- ② VD 30
- ③ VD 35, VD 40, VD 50
- ④ VD 60

## Dimensioned drawing [mm]



A	B	C	D	E
363	395	420	9	320