

VE 25



Short description

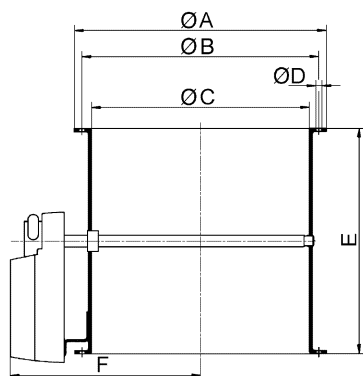
Shutter for servomotor, DN 250

Article number 0093.0285

Technical data

Material	Sheet steel
Weight	3 kg
Weight including packaging	3,015 kg
Type of shutter	electrical
Suitable for nominal size	250 mm
Width	304 mm
Height	304 mm
Depth	270 mm
Width with packaging	304 mm
Height with packaging	304 mm
Depth with packaging	270 mm
Packing unit	1 piece
Range	C
GTIN (EAN)	4012799932857

Dimensioned drawing [mm]



A	B	C	D	E	F
304	286	263	7	270	229