

VE 35



Short description

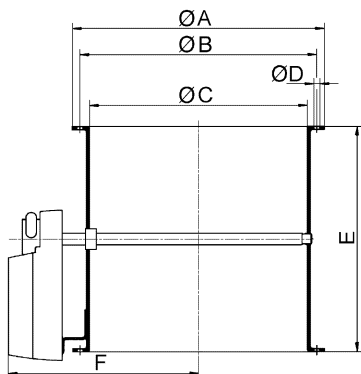
Shutter for servomotor, DN 350

Article number 0093.0287

Technical data

Material	Sheet steel
Weight	5,295 kg
Weight including packaging	5,3 kg
Type of shutter	electrical
Suitable for nominal size	350 mm
Width	420 mm
Height	420 mm
Depth	370 mm
Width with packaging	420 mm
Height with packaging	420 mm
Depth with packaging	370 mm
Packing unit	1 piece
Range	C
GTIN (EAN)	4012799932871

Dimensioned drawing [mm]



A	B	C	D	E	F
420	395	363	9	370	248