

# VE 60



## Short description

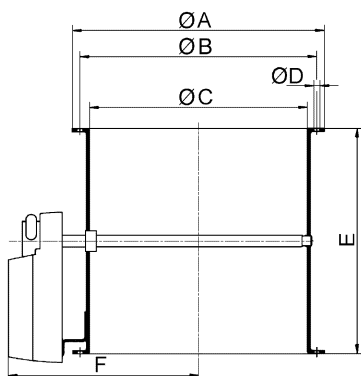
Shutter for servomotor, DN 600

Article number 0093.0290

## Technical data

Material	Sheet steel
Weight	19,78 kg
Weight including packaging	19,8 kg
Type of shutter	electrical
Suitable for nominal size	600 mm
Width	710 mm
Height	710 mm
Depth	620 mm
Width with packaging	710 mm
Height with packaging	710 mm
Depth with packaging	620 mm
Packing unit	1 piece
Range	C
GTIN (EAN)	4012799932901

## Dimensioned drawing [mm]



A	B	C	D	E	F
710	674	613	11	620	373