

VH 20



Short description

Sheet steel wall sleeves, for fans with the nominal size 200

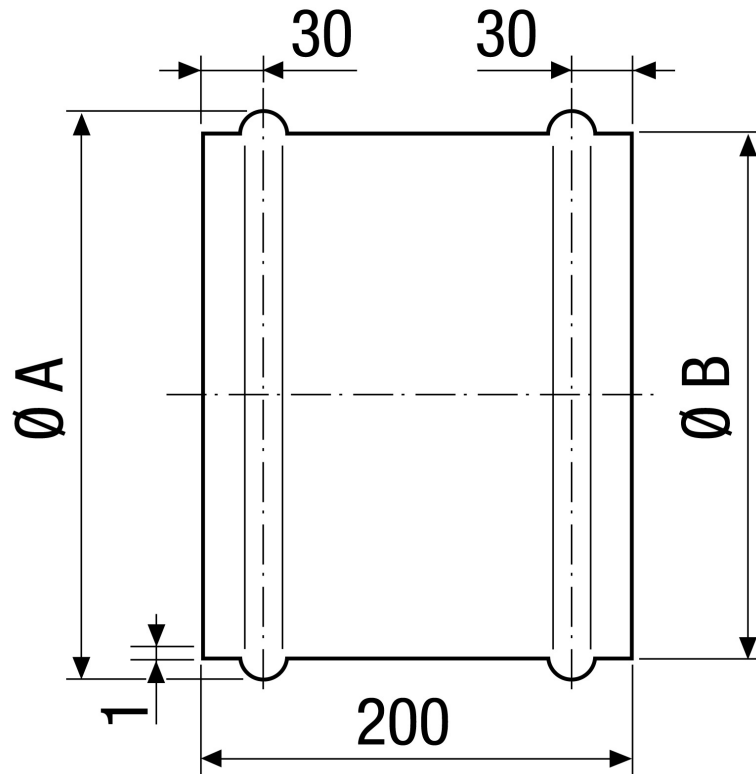
Article number 0055.0030

Technical data

Installation site	Wall / Ceiling
Material	Sheet steel, galvanised
Weight	1,07 kg
Weight including packaging	1,1 kg
Suitable for nominal size	200 mm
Width	226 mm
Height	226 mm
Depth	200 mm
Width with packaging	226 mm
Height with packaging	226 mm
Depth with packaging	200 mm
Packing unit	1 piece
Range	C
GTIN (EAN)	4012799550303

VH 20

Dimensioned drawing [mm]



A	B
226	219