

# VH 31



## Short description

Sheet steel wall sleeves, for fans with the nominal size 315

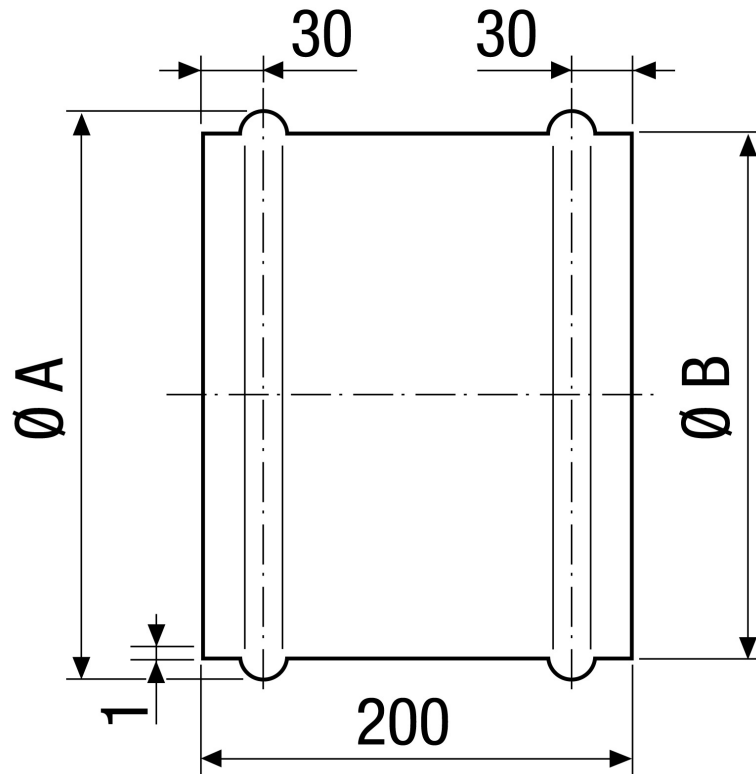
Article number 0055.0037

## Technical data

Installation site	Wall / Ceiling
Material	Sheet steel, galvanised
Weight	1,6 kg
Weight including packaging	1,65 kg
Suitable for nominal size	315 mm
Width	342 mm
Height	342 mm
Depth	200 mm
Width with packaging	342 mm
Height with packaging	342 mm
Depth with packaging	200 mm
Packing unit	1 piece
Range	C
GTIN (EAN)	4012799550372

# VH 31

Dimensioned drawing [mm]



A	B
342	335