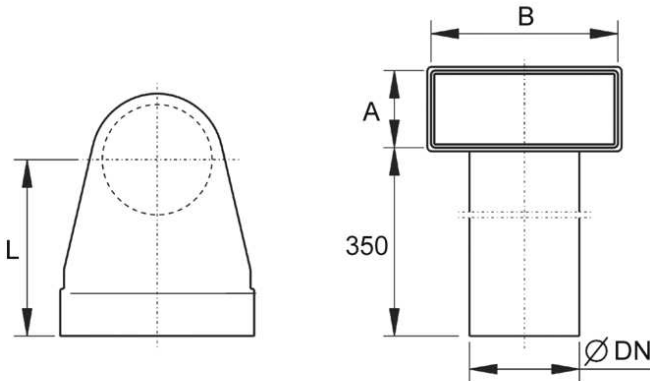


WB90V/55/220/125

Short description

90° angle elbow, 55/220 at DN 125,

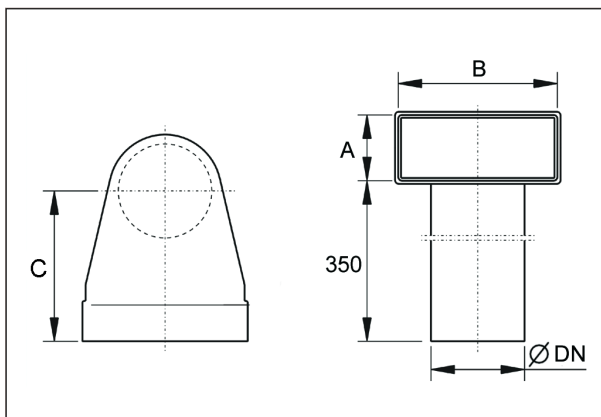


Article number 0055.0751

Technical data

Material	Sheet steel, Sendzimir galvanised
Nominal size	125 mm
Channel dimension	220 mm x x 55 mm
Packing unit	1 piece
Range	K
GTIN (EAN)	4012799557517

Dimensioned drawing [mm]



DN	A	B	C
125	55	220	200