

WD 10 D



Short description

Supply air blower nozzle, white powder-coated steel sheet, ceiling installation, DN 100, for domestic ventilation max. 45 m³/h

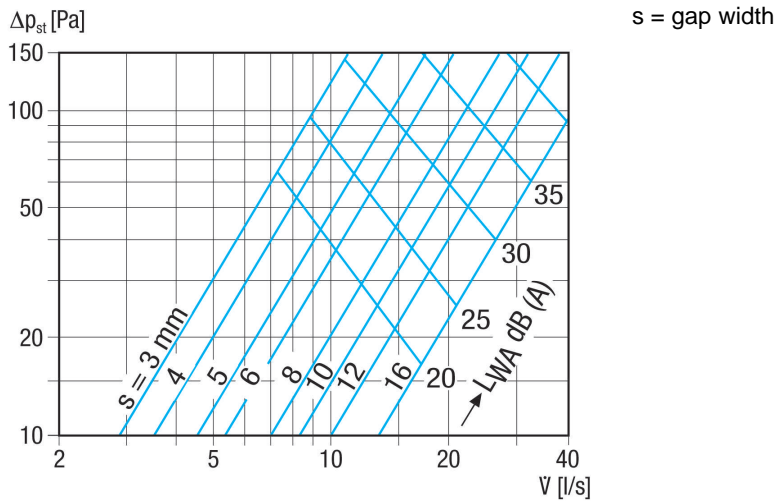
Article number 0151.0291

Technical data

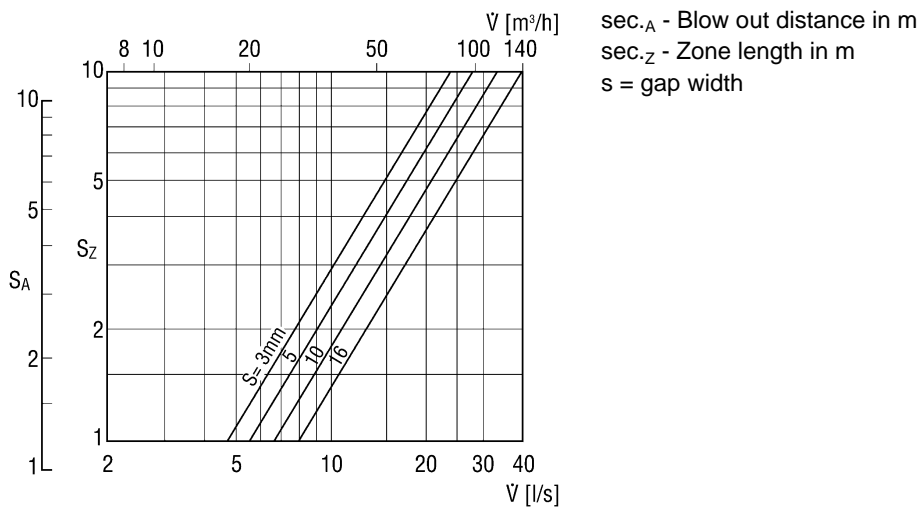
Air direction	Ventilation
Max. volumetric flow	70 m ³ /h
Range of projection	5 m
Installation	Inside
Installation site	Ceiling
Material	Sheet steel, powder coated
Colour	Traffic white, similar to RAL 9016
Weight	0,47 kg
Weight including packaging	0,49 kg
Suitable for nominal size	100 mm
Width	155 mm
Height	155 mm
Depth	81 mm
Width with packaging	156 mm
Height with packaging	156 mm
Depth with packaging	125 mm
Packing unit	1 piece
Range	K
GTIN (EAN)	4012799512912

WD 10 D

Characteristic curve Pressure losses and acoustic data



Characteristic curve Blow out distance in countercurrent with air volumes



WD 10 D

Dimensioned drawing [mm]

