

WRG 20-1



Short description

Heat recovery unit for wall installation

Article number 0082.0226

Technical data

Air flow volume	100 m ³ /h
Rotating speed	1.320 1/min
Speed controllable	✓
Rated voltage	230 V
Power consumption	35 W
I _{max}	0,2 A
Degree of protection	IP 44
Installation site	Wall
Material	Synthetic material
Colour	Traffic white, similar to RAL 9016
Weight	5,08
Weight including packaging	5,08 kg
Width with packaging	360 mm
Height with packaging	160 mm
Depth with packaging	490 mm
Airstream temperature at I _{Max}	40 °C
Heat recovery rate	50 %
Packing unit	1 piece
Range	D
GTIN (EAN)	4012799822264

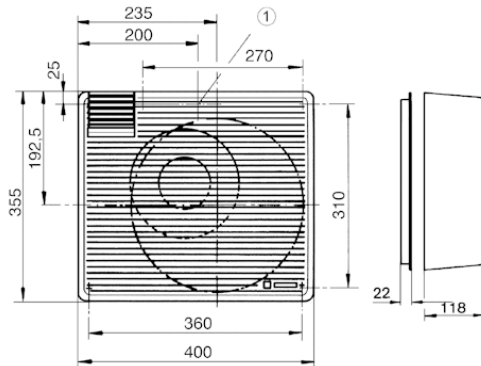
Sound power level in octave range

	63 Hz	125 Hz	250 Hz	500 Hz	1 kHz	2 kHz	4 kHz	8 kHz	Total
L _{WA7, high} (dB(A))	-	-	-	-	-	-	-	-	54

L_{WA7}= housing and free inlet sound power level in dB.

WRG 20-1

Dimensioned drawing [mm]



- ① Recessed cable entry.
- ② Required window cut-out or wall breakthrough is 295 mm.