

WRG 300 DC



Short description

Compact ventilation system with very efficient heat recovery

Application examples

Low-energy house

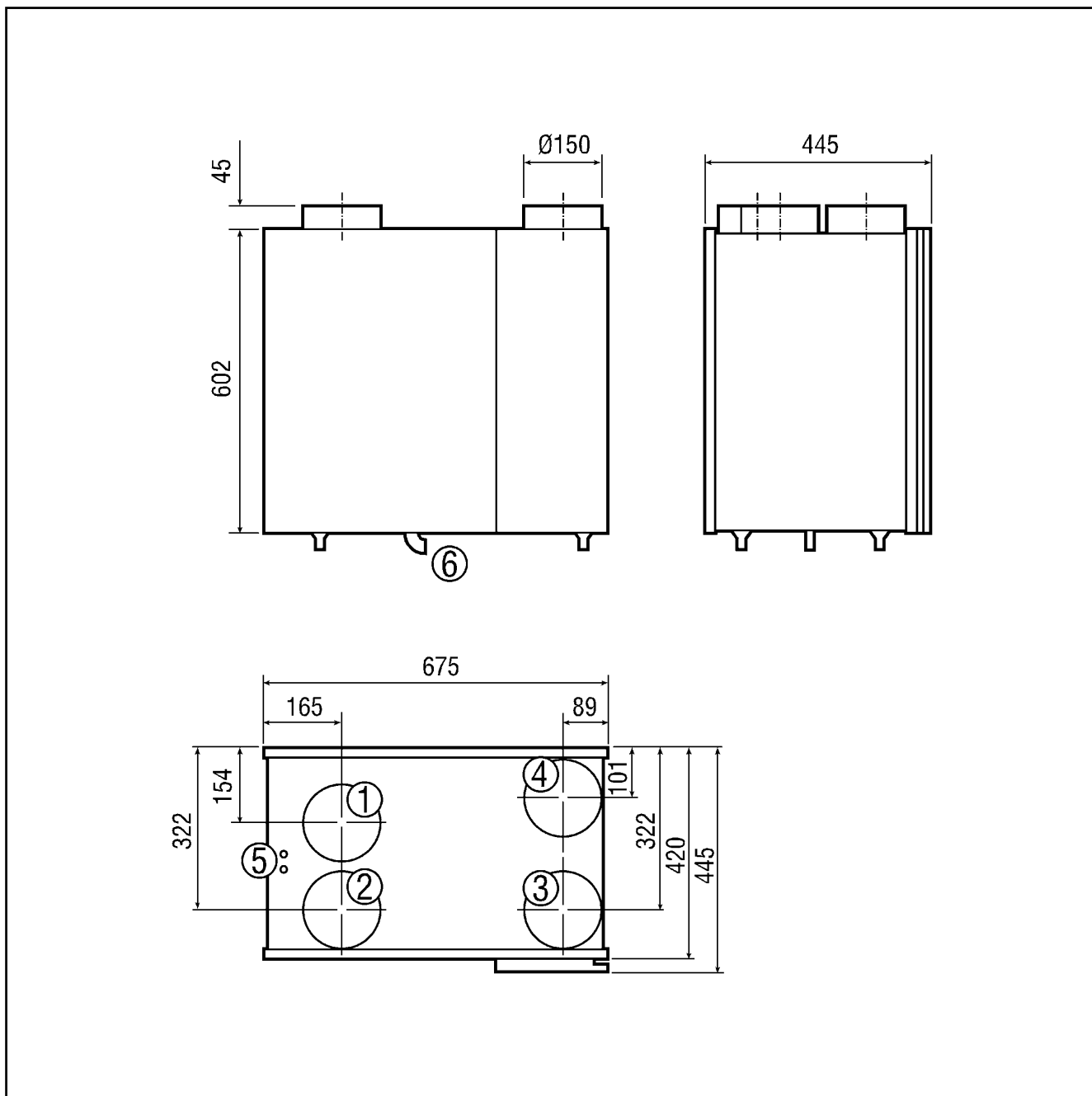
Article number 0082.0048

Technical data

Rotating speed	2.070 1/min
Speed controllable	✓
Type of voltage	Alternating current
Rated voltage	230 V
Installation site	Cellar
Housing material	Sheet steel, galvanised
Colour	Pearl white, similar to RAL 1013
Weight	31
Filter class	G3
Connection diameter	150 mm
Airstream temperature at I _{Max}	50 °C
Degree of heat provision	90 %
Heat exchanger construction type	Condensation rotor
Packing unit	1 piece
Range	K
GTIN (EAN)	4012799820482

WRG 300 DC

Dimensioned drawing [mm]



- ① Supply air
- ② Outgoing air
- ③ Exhaust air
- ④ Outside air
- ⑤ Electrical connection
- ⑥ Condensation connection