

WRG 300 EC



Short description

Compact ventilation system with very efficient heat recovery

Application examples

Low-energy house, Living room, Waiting room

Article number 0082.0060

Technical data

Air flow volume	60 m³/h / 250 m³/h
Rotating speed	2.070 1/min
Speed controllable	–
Type of voltage	Alternating current
Rated voltage	230 V
Frequency	50 Hz/60 Hz
Maximum power consumption	174 W
I _{max}	1 A
Degree of protection	IP 31
Installation site	Cellar / Storage tank / Jamb wall / Utility room / Heating room
Housing material	Sheet steel, powder coated
Colour	Pearl white, similar to RAL 1013
Weight	31
Weight including packaging	35 kg
Filter class	G4
Connection diameter	160 mm
Width with packaging	760 mm
Height with packaging	590 mm
Depth with packaging	750 mm
Airstream temperature at I _{Max}	50 °C
Degree of heat provision	90 %
Heat exchanger construction type	Condensation rotor
Packing unit	1 piece
Range	K
GTIN (EAN)	4012799820604

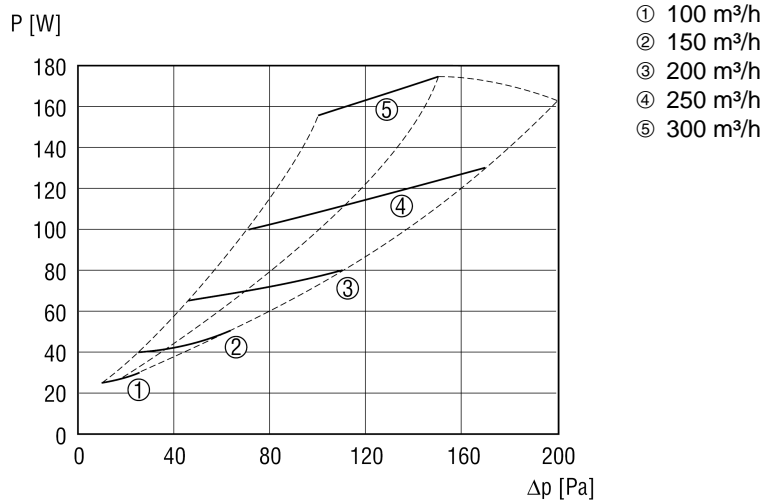
WRG 300 EC

Sound power level in octave range

	63 Hz	125 Hz	250 Hz	500 Hz	1 kHz	2 kHz	4 kHz	8 kHz	Total
L_{WA2}, Level 3 (dB(A))	25	33	38	39	41	38	40	33	47
L_{WA5}, Level 3 (dB(A))	22	33	34	33	33	27	25	26	40
L_{WA6}, Level 3 (dB(A))	36	48	53	57	60	55	52	47	63

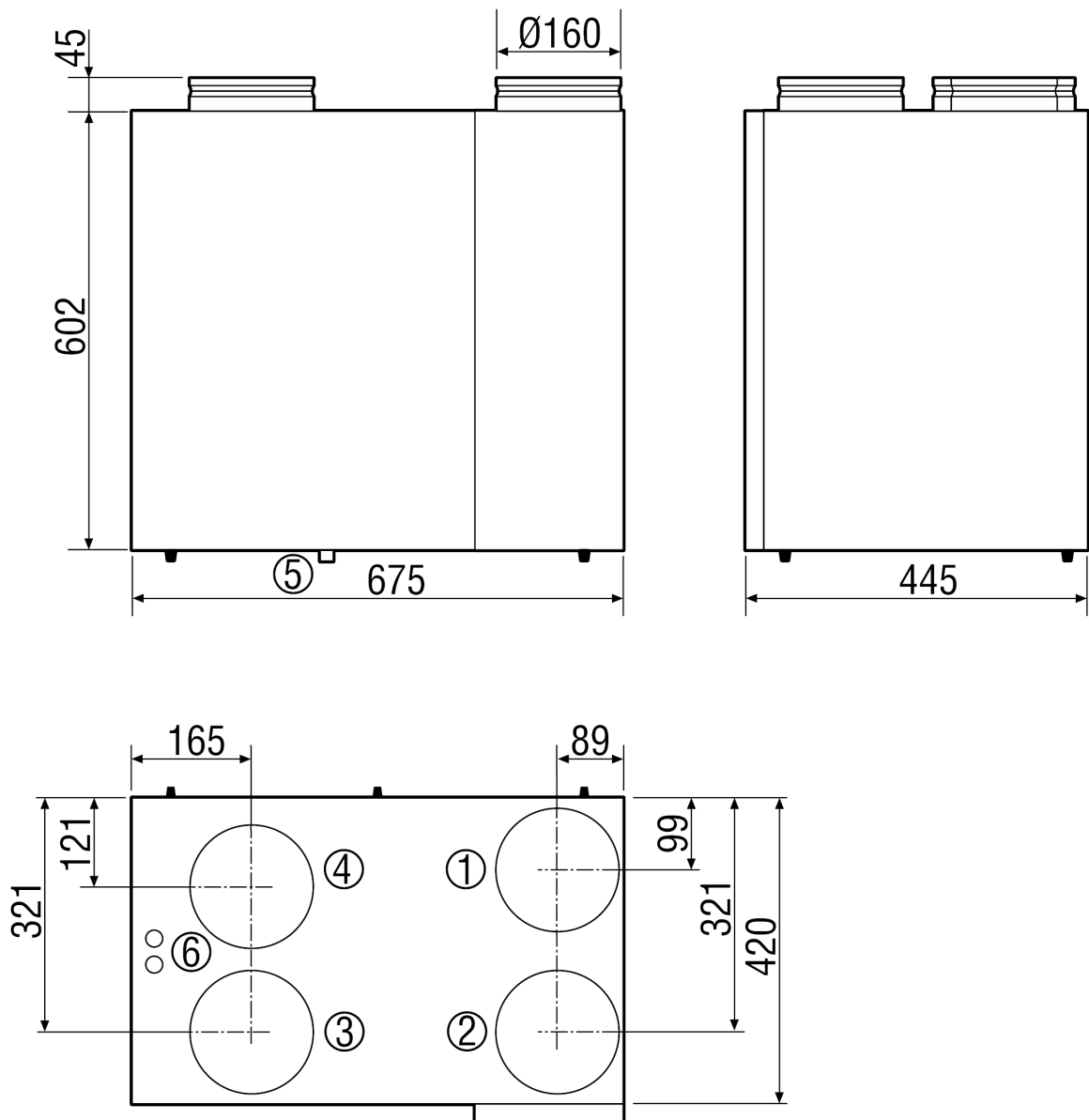
L_{WA2}= housing sound power level in dB.
 L_{WA5}= free inlet sound power level in dB.
 L_{WA6}= free outlet sound power level in dB.
 210 m³/h air volume for L_{WA2}
 208 m³/h air volume for L_{WA5}
 219 m³/h air volume for L_{WA6}

Characteristic curve WRG 300 EC



WRG 300 EC

Dimensioned drawing [mm]



- ① Outside air
- ② Exhaust air
- ③ Outgoing air
- ④ Supply air
- ⑤ Condensation connection
- ⑥ Electrical connection