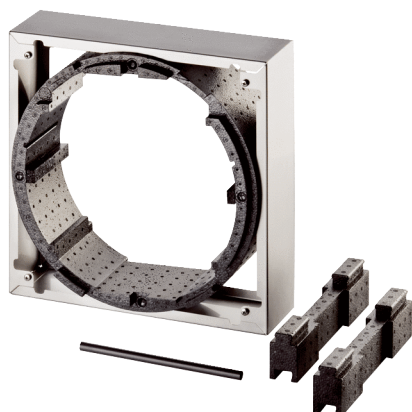


WRG 35-AR



Short description

Compensating frame for WRG 35 single-room ventilation unit, for compensation of wall thickness of less than 350 mm

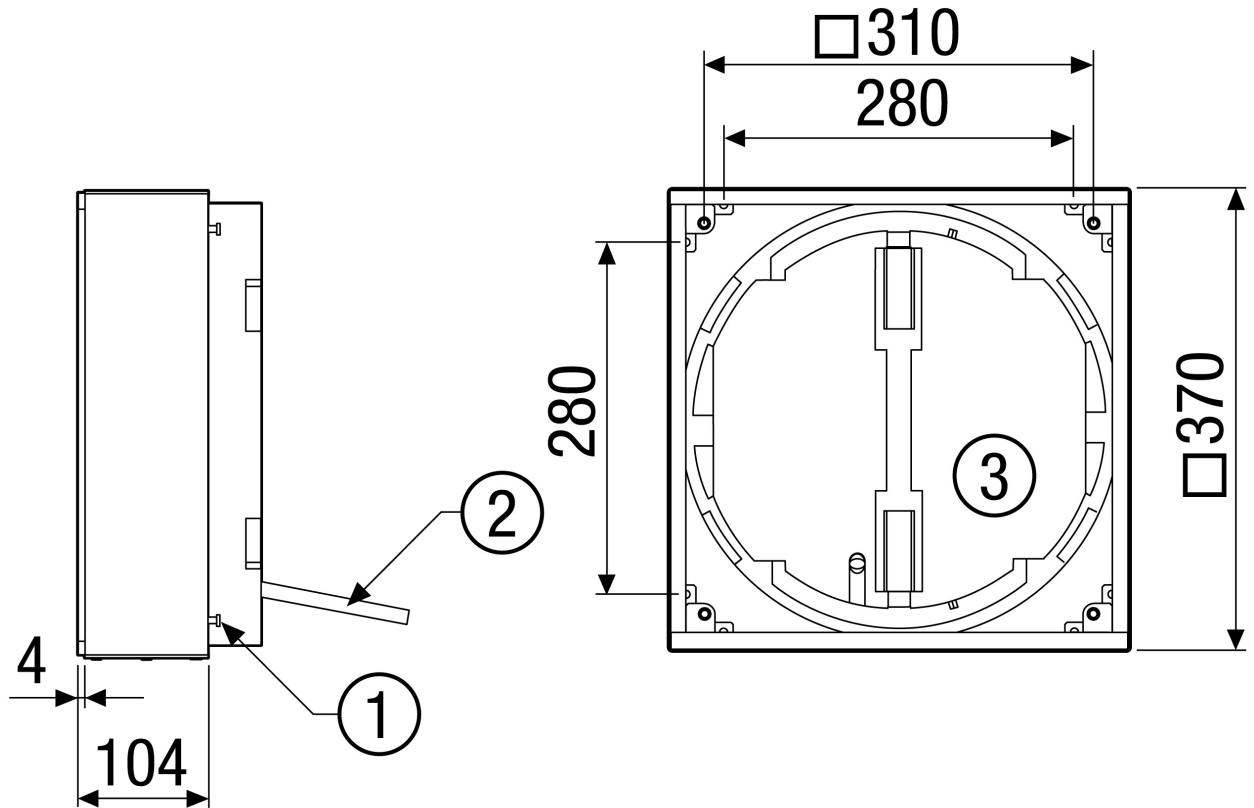
Article number 0192.0454

Technical data

Speed controllable	–
Installation site	Wall
Installation position	horizontal
Material	Plastic EPP
Housing material	Stainless steel
Weight	1,3 kg
Weight including packaging	1,78 kg
Width	370 mm
Height	370 mm
Depth	104 mm
Width with packaging	405 mm
Height with packaging	395 mm
Depth with packaging	145 mm
Ambient temperature	40 °C
Packing unit	1 piece
Range	K
GTIN (EAN)	4012799924548

WRG 35-AR

Dimensioned drawing [mm]



- ① Stainless steel M5 x16 screws
- ② Condensate drain extension
- ③ View on inside