

WRG 35-SE



Short description

Complete fan unit for decentralised WRG 35 ventilation unit with heat recovery, nominal size 350 mm, including internal cover and two G4 filters. Accessories needed: Shell kit WRG 35-SR and control RLS 4

Application examples

Apartment, Redevelopment, Flat occupying the whole of one floor, Tenant apartment, Single-family house

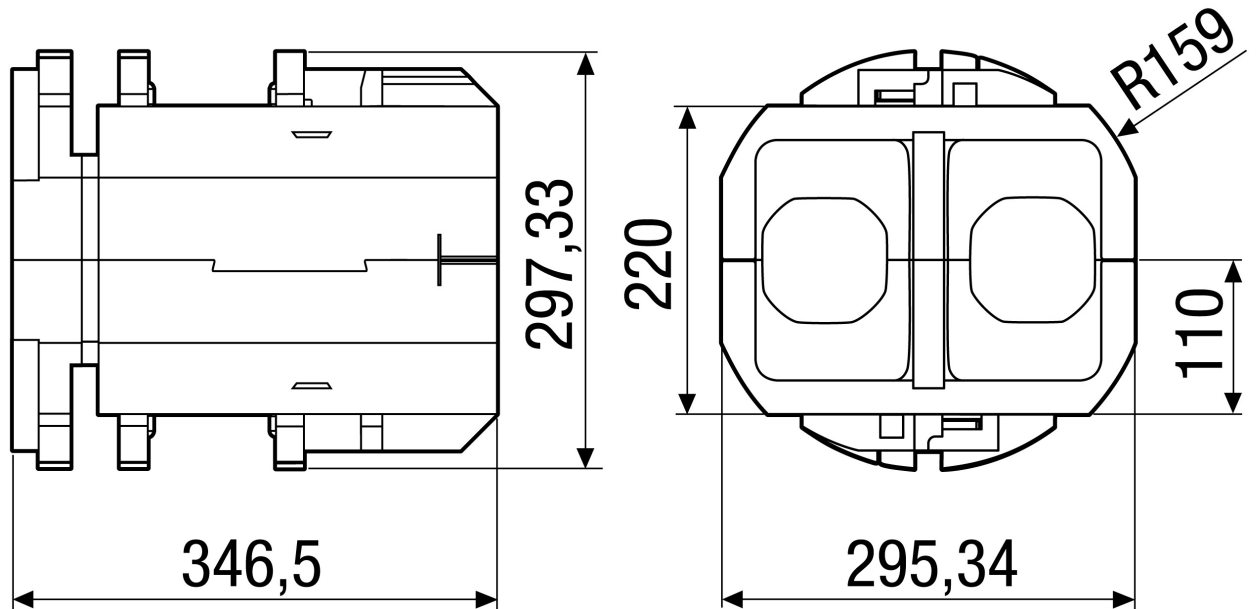
Article number 0082.0233

Technical data

Air flow volume	17 m³/h / 30 m³/h / 45 m³/h / 60 m³/h
Speed controllable	–
Type of voltage	Alternating current
Rated voltage	230 V
Frequency	50 Hz
Maximum power consumption	2 W / 4 W / 6 W / 8 W
I_{max}	0,04 A / 0,05 A / 0,06 A / 0,07 A
Degree of protection	IP X4
Electrical plug-type connection	Screw connection
Integrated hygrostat	–
Installation site	Outside wall
Installation position	horizontal
Housing material	Plastic EPP
Colour	Black
Weight including packaging	6 kg
Type of filter	Dust filter
Filter class	G4
Width with packaging	410 mm
Height with packaging	400 mm
Depth with packaging	410 mm
Ambient temperature	40 °C
Heat recovery rate	> 70 %
Heat exchanger construction type	Cross flow
Sound pressure level	18 dB(A) / 22 dB(A) / 29 dB(A) / 30 dB(A) (Distance 3 m, Free-field conditions)
Rated max. element normal difference in noise level $D_{n,w}$	39 dB
Packing unit	1 piece
Range	K
GTIN (EAN)	4012799822332

WRG 35-SE

Dimensioned drawing [mm]



Dimensions of internal cover:
W x H x D: 380 x 380 x 45 mm