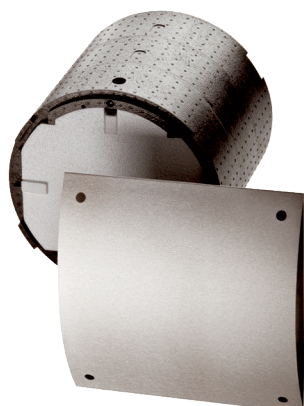


WRG 35-SR



Short description

Shell kit consisting of wall sleeve (3 parts), 2 plaster protective covers, reinforced cross with stop for spirit level and stainless steel external cover with drilling template for WRG 35 single-room ventilation unit with heat recovery, nominal size 350 mm, length 346 mm

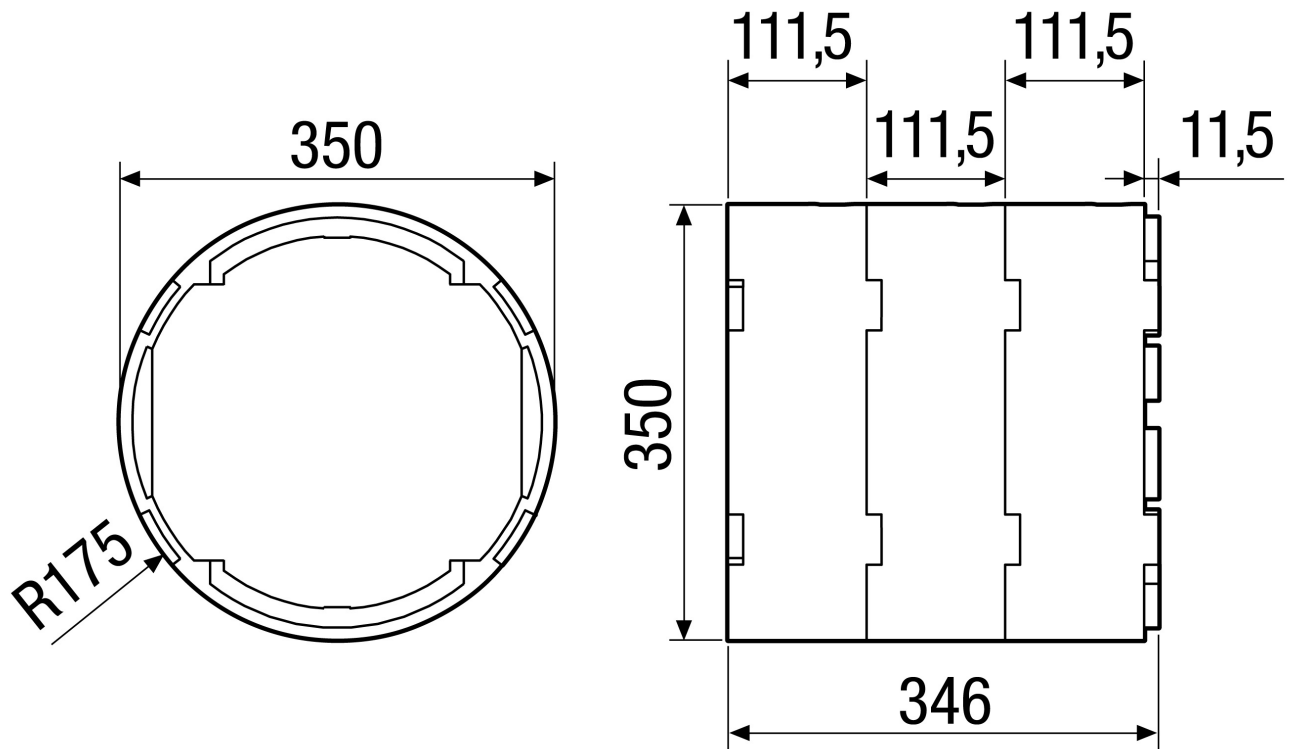
Article number 0192.0450

Technical data

Speed controllable	–
Installation site	Wall
Material	Plastic EPP
Weight	2,2 kg
Weight including packaging	3,5 kg
Nominal size	350 mm
Width	346 mm
Height	350 mm
Depth	350 mm
Width with packaging	400 mm
Height with packaging	400 mm
Depth with packaging	455 mm
Ambient temperature	40 °C
Packing unit	1 piece
Range	K
GTIN (EAN)	4012799924500

WRG 35-SR

Dimensioned drawing [mm]



Diameter of core hole 360 mm
Dimensions of external cover:
W x H x D: 370 x 370 x 59 mm
Dimensions of internal cover:
W x H x D: 380 x 380 x 45 mm