

WRG 35H-SE



Short description

Fan unit with integrated hygrostat for WRG 35 single-room ventilation unit with heat recovery, 17 - 60 m³/h, including internal cover and 2 x G4 filters, required accessory: Shell kit WRG 35 SR and RLS 5 room air control.

Application examples

Apartment, Redevelopment, Flat occupying the whole of one floor, Tenant apartment, Single-family house

Article number 0082.0234

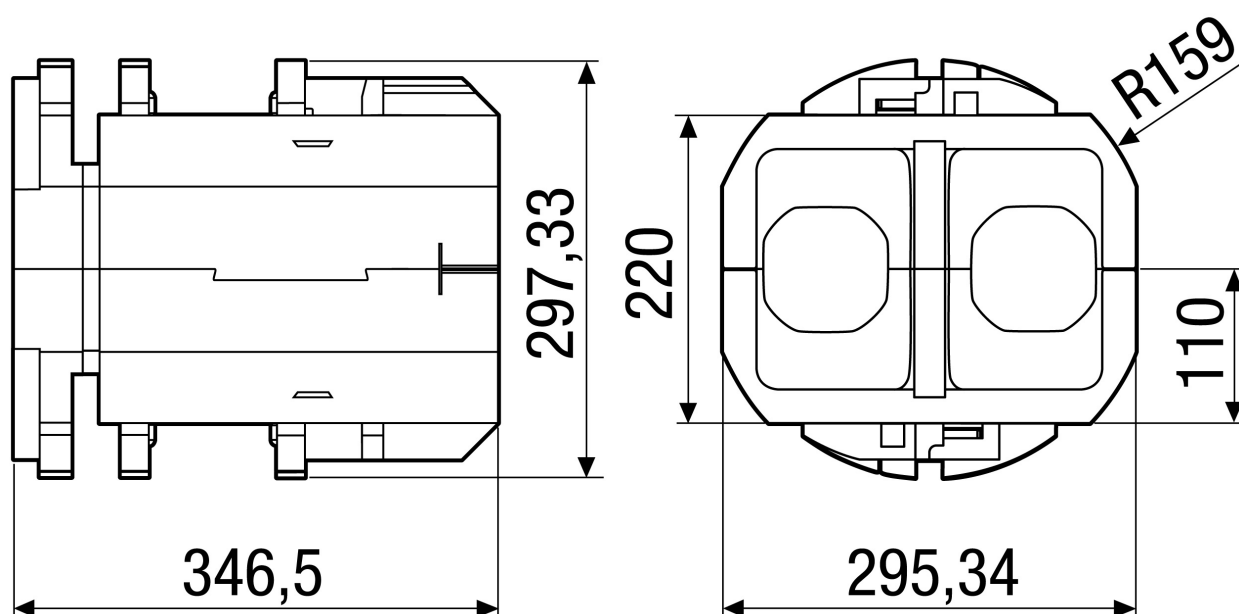
Technical data

Air flow volume	17 m ³ /h / 30 m ³ /h / 45 m ³ /h / 60 m ³ /h
Speed controllable	–
Energy efficiency class	A
Type of voltage	Alternating current
Rated voltage	230 V
Frequency	50 Hz
Maximum power consumption	2 W / 4 W / 6 W / 8 W
I _{max}	0,04 A / 0,05 A / 0,06 A / 0,07 A
Degree of protection	IP X4
Electrical plug-type connection	Screw connection
Integrated hygrostat	✓
Installation site	Wall
Installation position	horizontal
System type	Decentralised
Housing material	Plastic EPP
Heat exchanger material	Aluminium
Weight	4,7 kg
Weight including packaging	5,92 kg
Type of filter	Dust filter
Filter class	G4
Width	400 mm
Height	380 mm
Depth	400 mm
Width with packaging	401 mm
Height with packaging	400 mm
Depth with packaging	460 mm
Ambient temperature	40 °C
Heat recovery rate	> 70 %
Heat exchanger construction type	Cross flow

WRG 35H-SE

Sound pressure level	14 dB(A) / 25 dB(A) / 30 dB(A) / 37 dB(A) (Distance 3 m, Free-field conditions)
Rated max. element normal difference in noise level $D_{n,w}$	39 dB
Packing unit	1 piece
Range	K
GTIN (EAN)	4012799822349

Dimensioned drawing [mm]



Dimensions of internal cover:
W x H x D: 380 x 380 x 45 mm