

WRG 400 EC



Short description

Compact ventilation system with very efficient heat recovery

Application examples

Single-family house, Apartment, Office, Waiting room, Commercial premises

Article number 0082.0061

Technical data

Air flow volume	60 m³/h / 400 m³/h
Rotating speed	2.070 1/min
Speed controllable	–
Type of voltage	Alternating current
Rated voltage	230 V
Frequency	50 Hz/60 Hz
Maximum power consumption	300 W
I _{max}	1 A
Degree of protection	IP 31
Installation site	Cellar / Storage tank / Jamb wall / Utility room / Heating room
Housing material	Sheet steel, galvanised
Colour	Pearl white, similar to RAL 1013
Weight	32
Weight including packaging	28,97 kg
Filter class	G4
Connection diameter	180 mm
Width with packaging	730 mm
Height with packaging	360 mm
Depth with packaging	590 mm
Airstream temperature at I _{Max}	50 °C
Degree of heat provision	90 %
Heat exchanger construction type	Condensation rotor
Packing unit	1 piece
Range	K
GTIN (EAN)	4012799820611

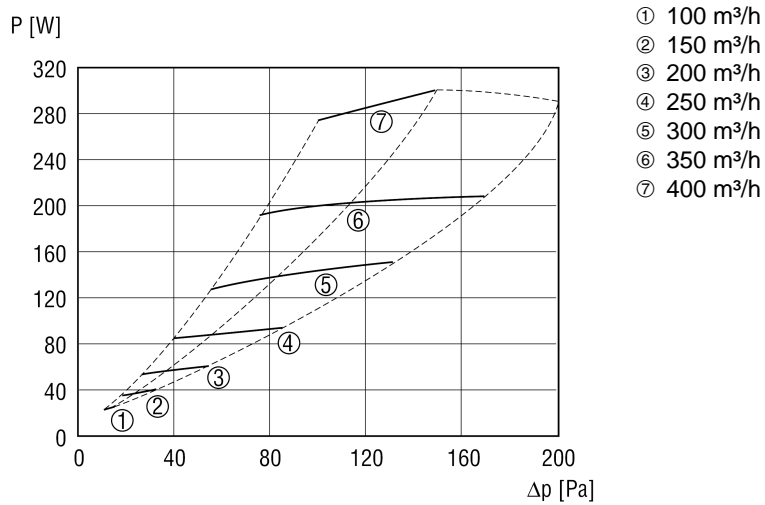
WRG 400 EC

Sound power level in octave range

	63 Hz	125 Hz	250 Hz	500 Hz	1 kHz	2 kHz	4 kHz	8 kHz	Total
L_{WA2}, Level 5 (dB(A))	31	39	46	46	46	45	51	43	55
L_{WA5}, Level 5 (dB(A))	27	37	44	44	39	36	31	27	48
L_{WA6}, Level 5 (dB(A))	40	55	59	64	64	62	59	54	69

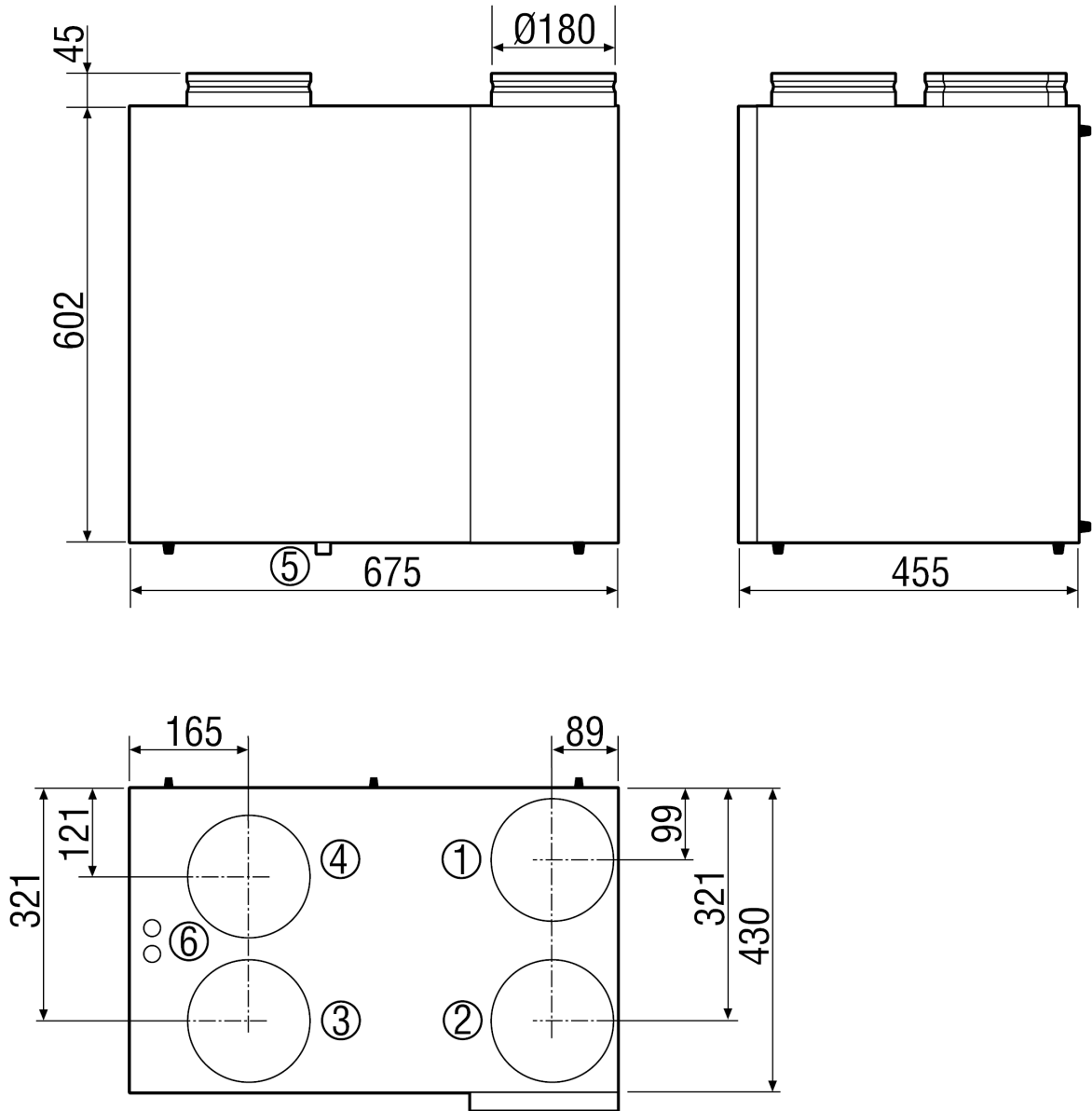
L_{WA2}= housing sound power level in dB.
 L_{WA5}= free inlet sound power level in dB.
 L_{WA6}= free outlet sound power level in dB.
 320 m³/h air volume for L_{WA2}
 320 m³/h air volume for L_{WA5}
 324 m³/h air volume for L_{WA6}

Characteristic curve WRG 400 EC



WRG 400 EC

Dimensioned drawing [mm]



- ① DN 180 outside air
- ② DN 180 exhaust air
- ③ DN 180 outgoing air
- ④ DN 180 supply air
- ⑤ Condensation connection
- ⑥ Electrical connection