

WRG 400 EC



Short description

Centralised ventilation unit with very effective heat recovery through cross-counterflow exchanger, EC motors with constant volumetric flow regulation, 4 x DN 160, 70 - 400m³/h, KNX connection possible

Application examples

Single-family house, Apartment, Office, Waiting room, Commercial premises

Article number 0082.0063

Technical data

Number of ventilation levels	3
Air flow volume	70 m ³ /h - 400 m ³ /h
Volumetric flow constant	yes
Speed controllable	–
Type of voltage	Alternating current
Rated voltage	230 V
Frequency	50 Hz/60 Hz
Power consumption	40 W - 270 W (At 100 Pa counter pressure)
I _{max}	2,1 A
Degree of protection	IP 31
DIBT approval	No
PHI certification	No
Installation site	Cellar / Storage tank / Jamb wall / Utility room / Heating room
Housing material	Sheet steel, powder coated
Heat exchanger material	PETG plastic
Colour	Pearl white, similar to RAL 1013
Weight	33 kg
Weight including packaging	35,5 kg
Filter class	G4
Connection diameter	180 mm
Connection diameter of condensation drain	1/2" inside thread
Width	675 mm
Height	602 mm
Depth	430 mm
Width with packaging	760 mm
Height with packaging	740 mm
Depth with packaging	595 mm
Airstream temperature at I _{Max}	50 °C
Degree of heat provision	90 %

WRG 400 EC

Heat exchanger construction type	Cross-counterflow
Bypass	No
Frost protection	External
Antifreeze circuit	yes
Summer circuit	No
Filter monitoring	time controlled with RLS 2 F
Humidity control	optional with HY 5, HY 5 I, HY 10 AP, HY 10 UP
CO ₂ regulation (optional)	-
Air quality control (optional)	-
KNX connection (optional)	yes
Control unit included in scope of delivery.	No
Control unit (optional)	RLS 2 F, RLS 3
Wireless switch on/off (optional)	XE 1, XS 1
Housing emission sound pressure level	53 dB(A) (Spacing 1m, sound absorption 10 m ²)
Packing unit	1 piece
Range	K
GTIN (EAN)	4012799820635

Sound power level in octave range

	63 Hz	125 Hz	250 Hz	500 Hz	1 kHz	2 kHz	4 kHz	8 kHz	Total
L_{WA2}, Level 5 (dB(A))	31	39	46	46	46	45	51	43	55
L_{WA5}, Level 5 (dB(A))	27	37	44	44	39	36	31	27	48
L_{WA6}, Level 5 (dB(A))	40	55	59	64	64	62	59	54	69

L_{WA2}= housing sound power level in dB.

L_{WA5}= free inlet sound power level in dB.

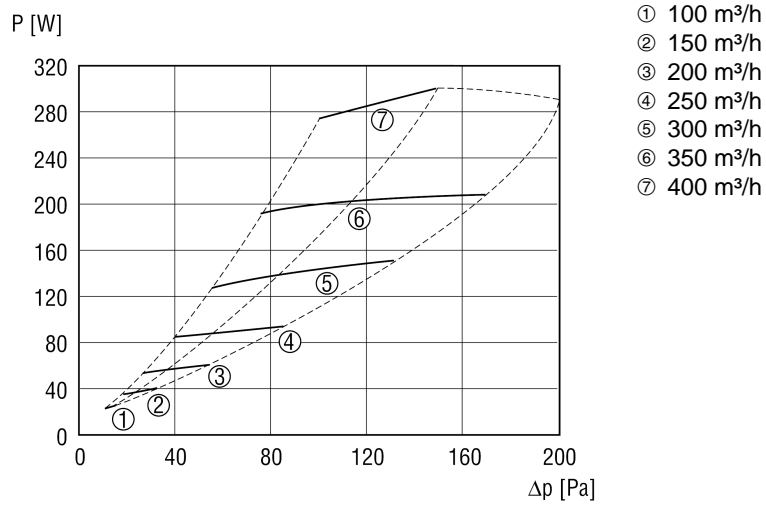
L_{WA6}= free outlet sound power level in dB.

L_{WA5}, L_{WA6} = sound power level emitted to the free surroundings. Measured at an operating point on the connectors facing the room. L_{WA5} Exhaust air connections, L_{WA6} Supply air connections.

Measured at air volume of 320 m³/.

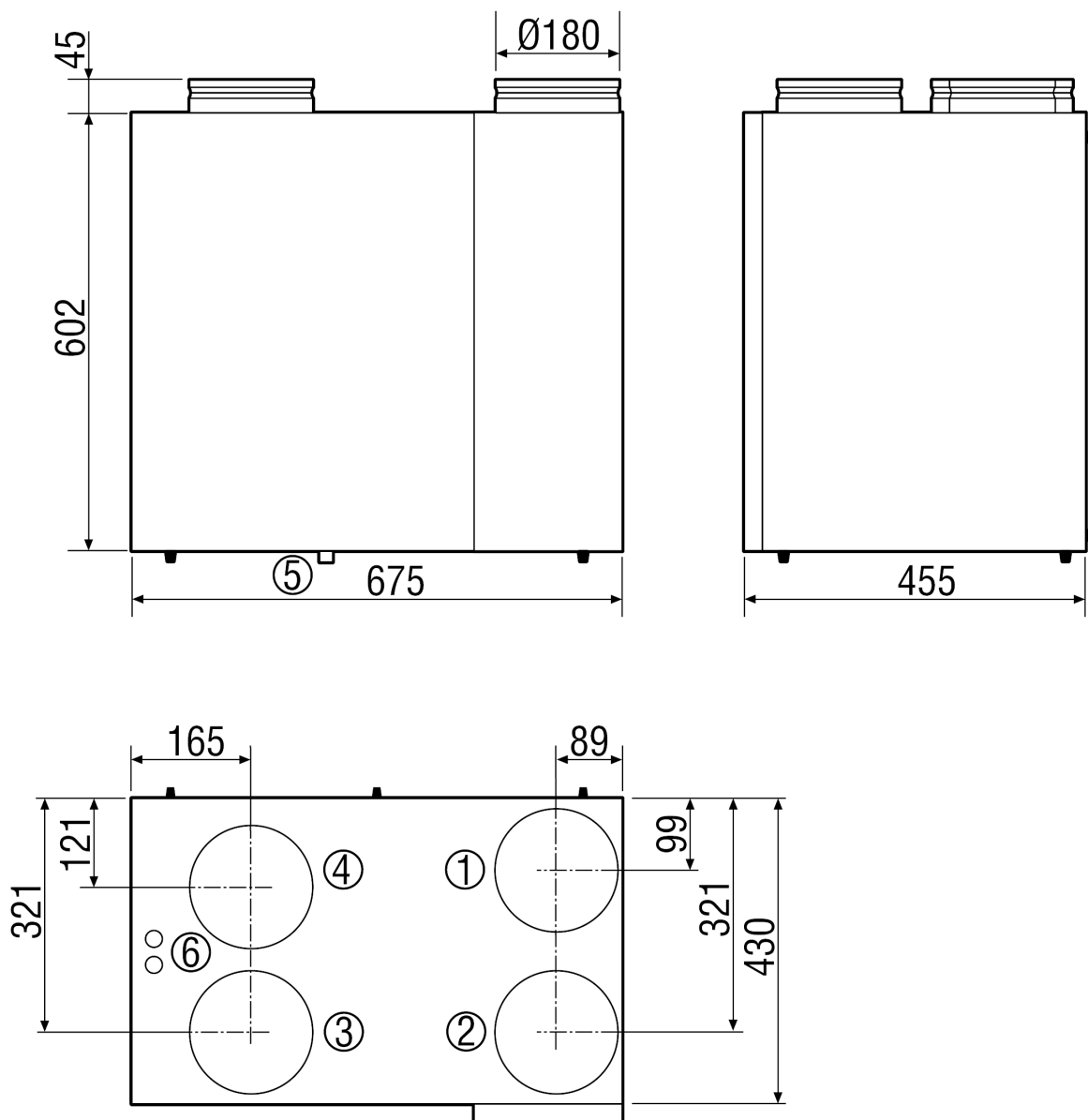
WRG 400 EC

Characteristic curve WRG 400 EC



WRG 400 EC

Dimensioned drawing [mm]



- ① DN 180 outside air
- ② DN 180 exhaust air
- ③ DN 180 outgoing air
- ④ DN 180 supply air
- ⑤ Condensation connection
- ⑥ Electrical connection