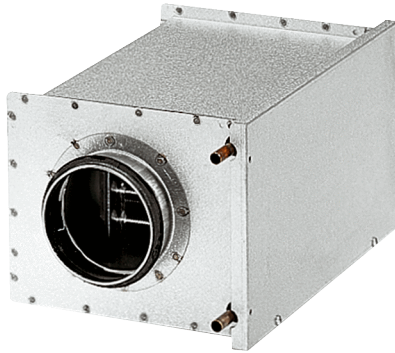


WRH 12-1



Short description

Water air heater, sheet steel, galvanised, 1.7 kW, DN 125

Article number

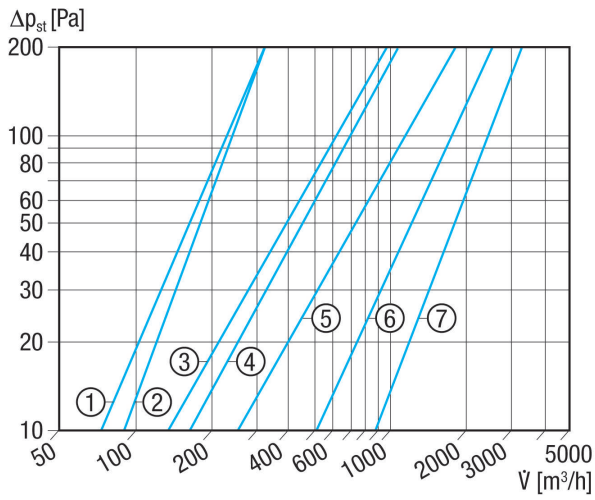
0082.0117

Technical data

Installation position	vertical / horizontal
Housing material	Sheet steel, galvanised
Weight	3,45 kg
Weight including packaging	3,71 kg
Nominal size	125 mm
Open cross section	1.215 cm ²
Width	225 mm
Height	183 mm
Depth	380 mm
Width with packaging	265 mm
Height with packaging	205 mm
Depth with packaging	381 mm
Air heater type	Water
Heater power rating	1.700 W
Mass flow	85 kg/h
Inlet temperature	70 °C
Return flow temperature	50 °C
Max. water temperature	100 °C
Max. water pressure	6 bar
Water pressure difference	800 Pa
Packing unit	1 piece
Range	C
GTIN (EAN)	4012799821175

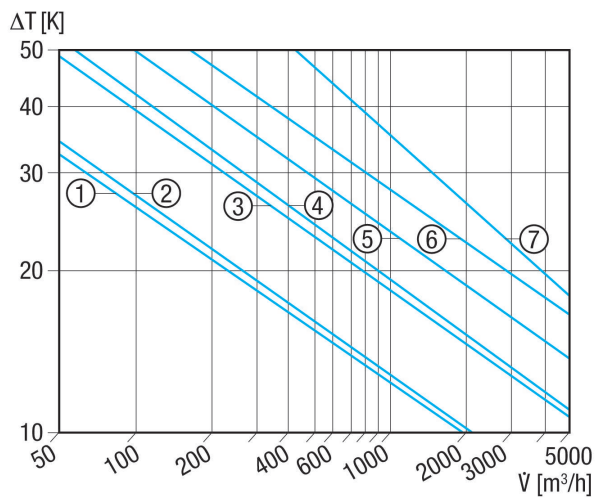
WRH 12-1

Characteristic curve Pressure losses



- ① WRH 10-1
- ② WRH 12-1
- ③ WRH 16-2
- ④ WRH 20-2
- ⑤ WRH 25-4
- ⑥ WRH 31-6
- ⑦ WRH 40-9

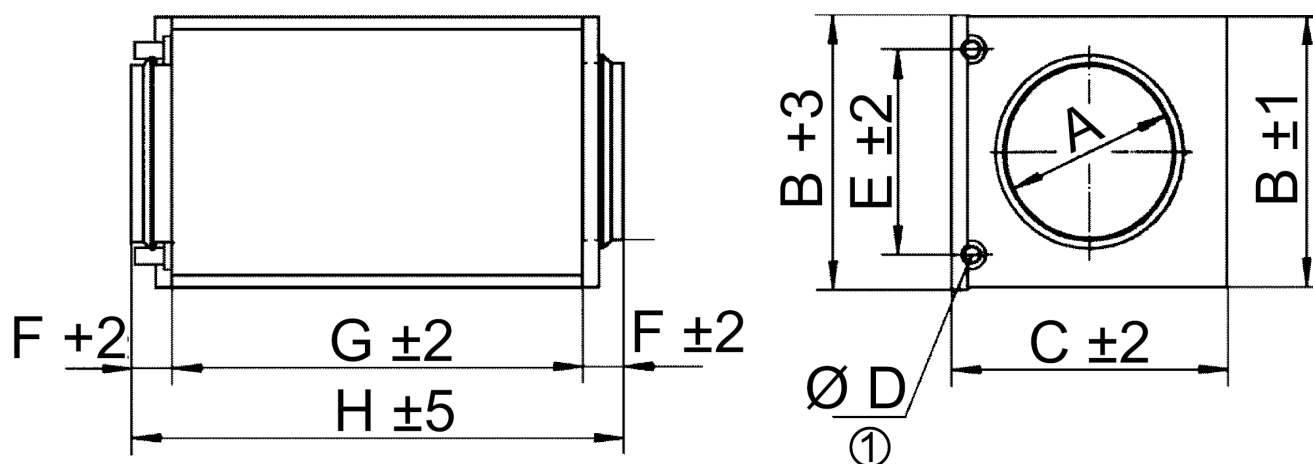
Characteristic curve Temperature rise



- ① WRH 10-1
- ② WRH 12-1
- ③ WRH 16-2
- ④ WRH 20-2
- ⑤ WRH 25-4
- ⑥ WRH 31-6
- ⑦ WRH 40-9

WRH 12-1

Dimensioned drawing [mm]



A	B	C	D	E	F	G	H
125	183	225	10	137	40	300	380

① External connection diameter