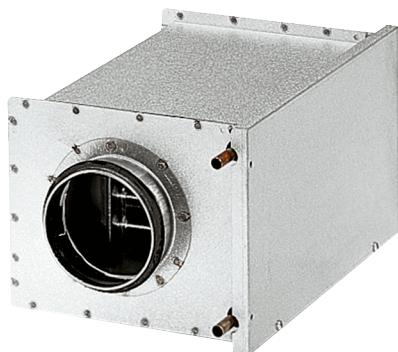


WRH 20-2



Short description

Water air heater, sheet steel, galvanised, 5.0 kW, DN 200

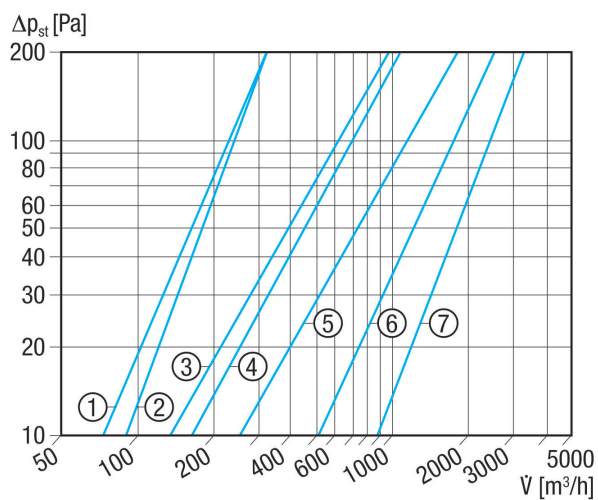
Article number 0082.0119

Technical data

Installation position	vertical / horizontal
Housing material	Sheet steel, galvanised
Weight	5,23 kg
Weight including packaging	5,61 kg
Nominal size	200 mm
Open cross section	1.701 cm ²
Width	305 mm
Height	258 mm
Depth	380 mm
Width with packaging	375 mm
Height with packaging	285 mm
Depth with packaging	381 mm
Air heater type	Water
Heater power rating	5.000 W
Mass flow	210 kg/h
Inlet temperature	70 °C
Return flow temperature	50 °C
Max. water temperature	100 °C
Max. water pressure	6 bar
Water pressure difference	11.100 Pa
Packing unit	1 piece
Range	C
GTIN (EAN)	4012799821199

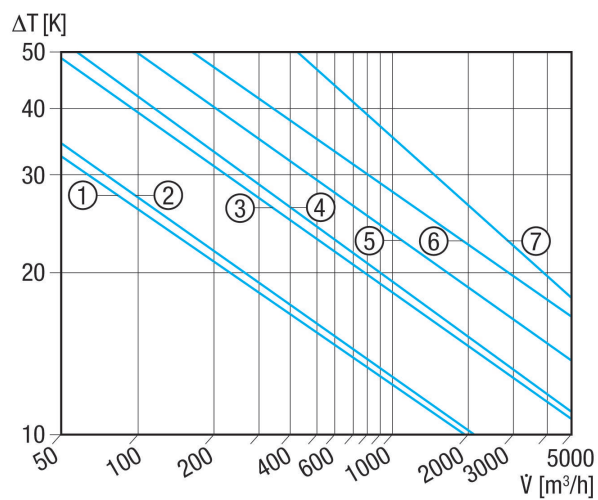
WRH 20-2

Characteristic curve Pressure losses



- ① WRH 10-1
- ② WRH 12-1
- ③ WRH 16-2
- ④ WRH 20-2
- ⑤ WRH 25-4
- ⑥ WRH 31-6
- ⑦ WRH 40-9

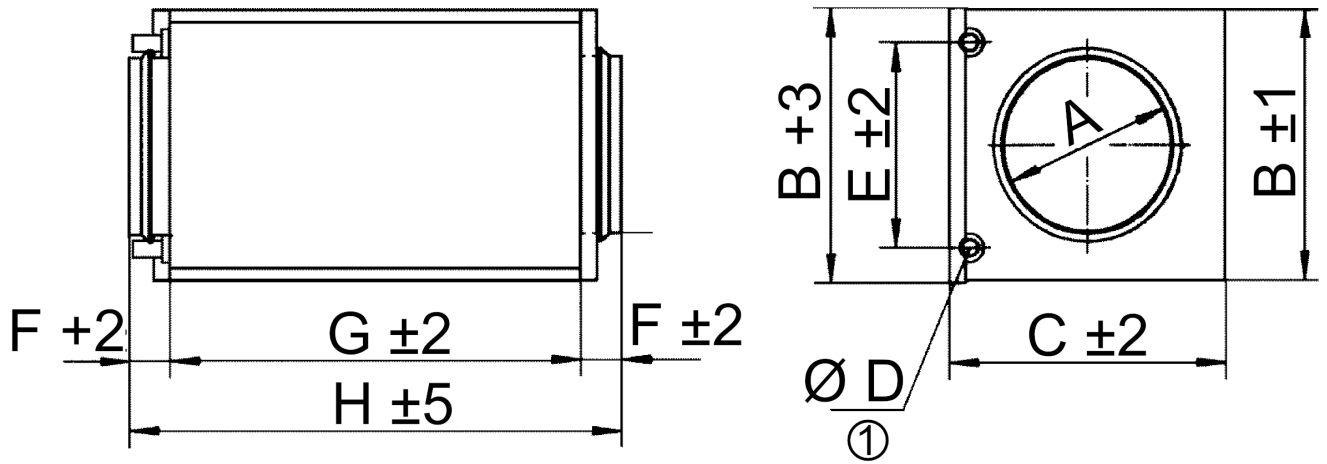
Characteristic curve Temperature rise



- ① WRH 10-1
- ② WRH 12-1
- ③ WRH 16-2
- ④ WRH 20-2
- ⑤ WRH 25-4
- ⑥ WRH 31-6
- ⑦ WRH 40-9

WRH 20-2

Dimensioned drawing [mm]



A	B	C	D	E	F	G	H
200	258	305	10	212	40	300	380

① External connection diameter