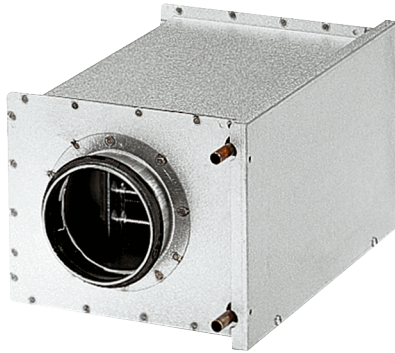


# WRH 40-9



## Short description

Water air heater, sheet steel, galvanised, 20.6 kW, DN 400

Article number

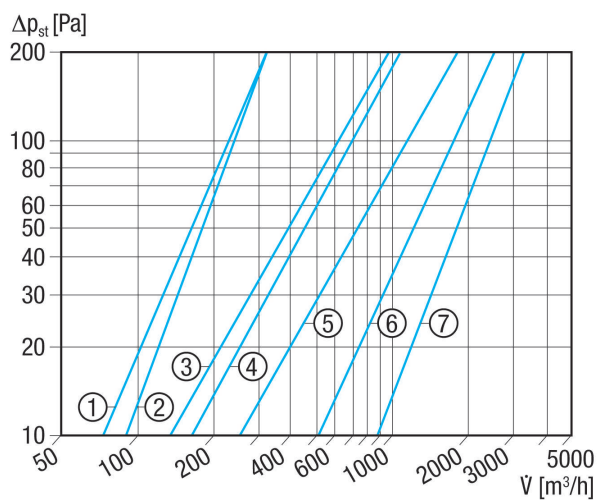
0082.0122

## Technical data

Installation position	vertical / horizontal
Housing material	Sheet steel, galvanised
Weight	12,99 kg
Weight including packaging	13,83 kg
Nominal size	400 mm
Open cross section	4.050 cm <sup>2</sup>
Width	540 mm
Height	483 mm
Depth	440 mm
Width with packaging	530 mm
Height with packaging	430 mm
Depth with packaging	590 mm
Air heater type	Water
Heater power rating	20.600 W
Mass flow	850 kg/h
Inlet temperature	70 °C
Return flow temperature	50 °C
Max. water temperature	100 °C
Max. water pressure	6 bar
Water pressure difference	8.300 Pa
Packing unit	1 piece
Range	C
GTIN (EAN)	4012799821229

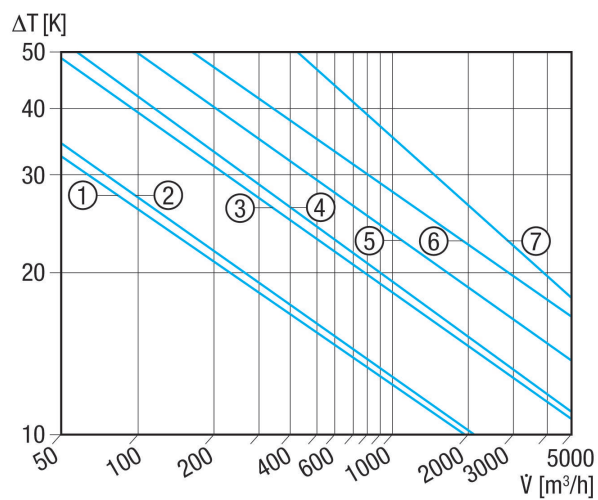
# WRH 40-9

## Characteristic curve Pressure losses



- ① WRH 10-1
- ② WRH 12-1
- ③ WRH 16-2
- ④ WRH 20-2
- ⑤ WRH 25-4
- ⑥ WRH 31-6
- ⑦ WRH 40-9

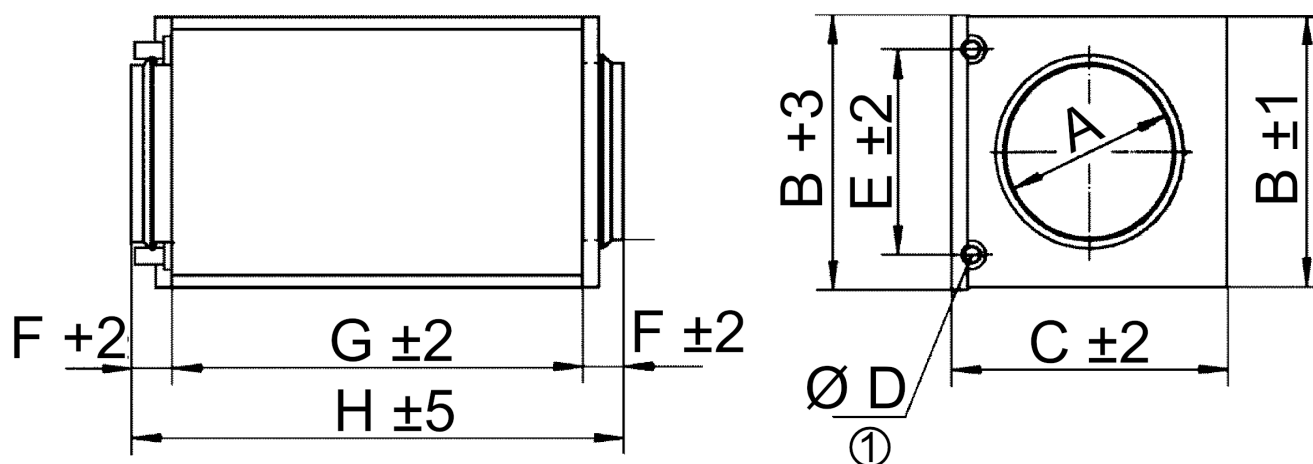
## Characteristic curve Temperature rise



- ① WRH 10-1
- ② WRH 12-1
- ③ WRH 16-2
- ④ WRH 20-2
- ⑤ WRH 25-4
- ⑥ WRH 31-6
- ⑦ WRH 40-9

# WRH 40-9

Dimensioned drawing [mm]



A	B	C	D	E	F	G	H
400	483	540	22	400	70	300	440

① External connection diameter