

# WSK 150



## Short description

Wall bracket for mounting the WS 150 centralised ventilation unit

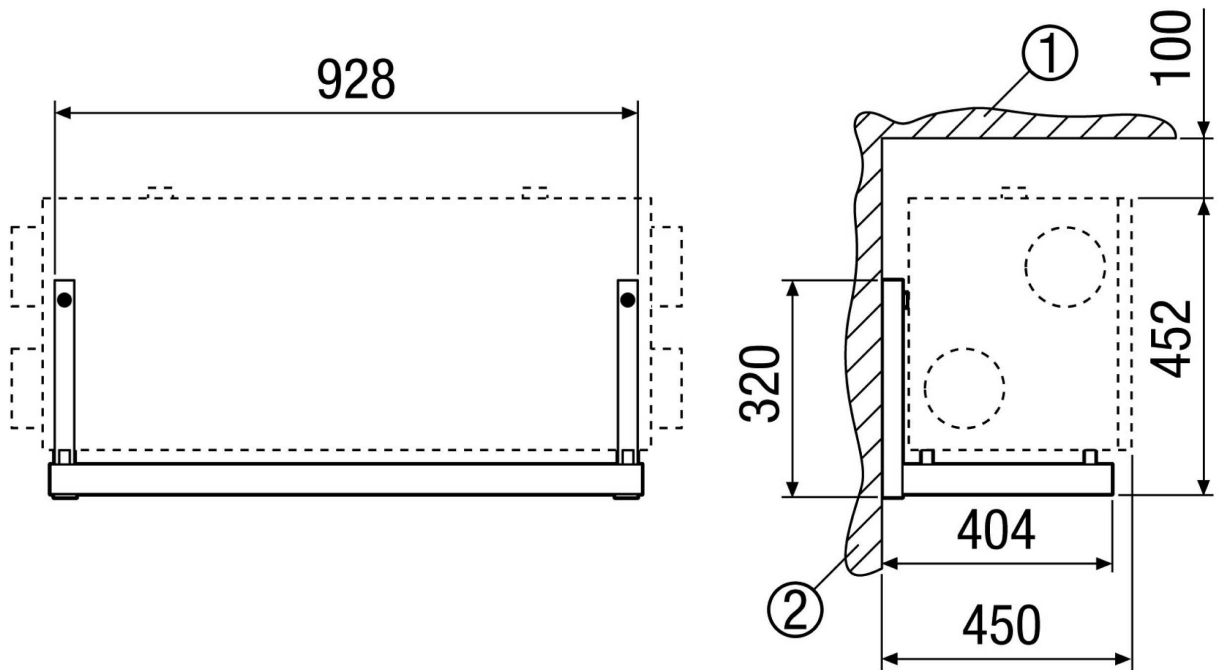
Article number 0018.0458

## Technical data

|                            |                            |
|----------------------------|----------------------------|
| Installation site          | Wall                       |
| Material                   | Sheet steel, powder coated |
| Colour                     | Black                      |
| Weight                     | 4,16 kg                    |
| Weight including packaging | 4,7 kg                     |
| Width                      | 928 mm                     |
| Height                     | 320 mm                     |
| Depth                      | 450 mm                     |
| Width with packaging       | 750 mm                     |
| Height with packaging      | 50 mm                      |
| Depth with packaging       | 700 mm                     |
| Packing unit               | 1 piece                    |
| Suitable for products      | WS 150                     |
| Range                      | K                          |
| GTIN (EAN)                 | 4012799184584              |

# WSK 150

Dimensioned drawing [mm]



- ① Ceiling
- ② Wall