

# WSK 250



## Short description

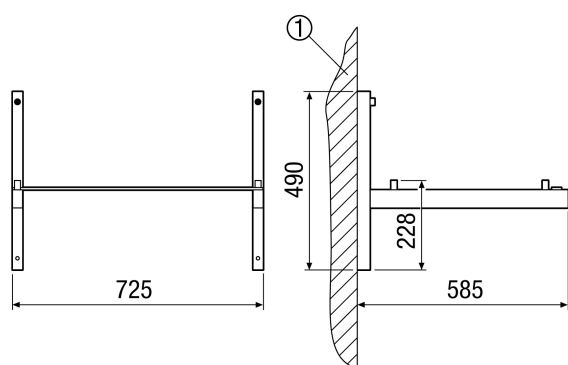
Wall bracket for mounting the WS 250 centralised ventilation unit

Article number 0018.0223

## Technical data

Installation site	Wall
Material	Sheet steel, powder coated
Colour	Black
Weight including packaging	7,55 kg
Width with packaging	650 mm
Height with packaging	55 mm
Depth with packaging	595 mm
Packing unit	1 piece
Range	K
GTIN (EAN)	4012799182238

## Dimensioned drawing [mm]



① Wall