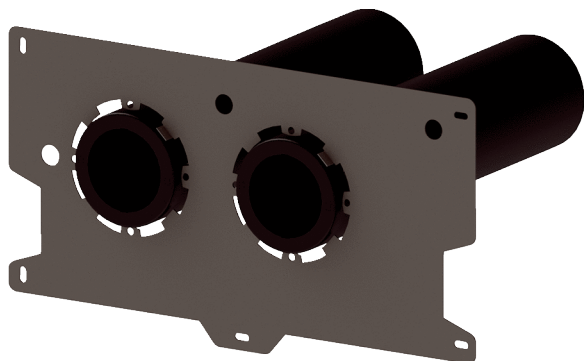


WS 75 H MP



Short description

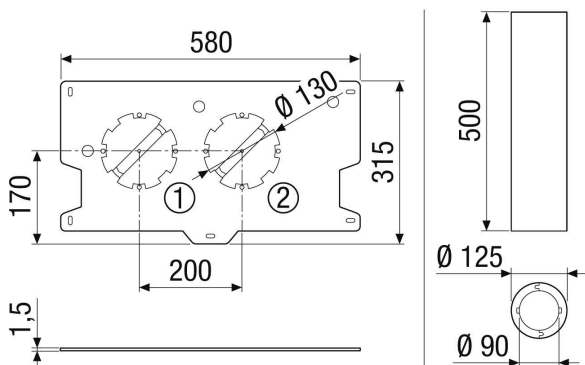
Mounting plate for installation of WS 75 H without decorative cover

Article number 0092.0610

Technical data

Installation site	Wall
Material	EPP plastic / galvanised sheet steel
Colour	black / silver
Weight	2 kg
Weight including packaging	2,05 kg
Connection diameter	90 mm
Width	290 mm
Height	135 mm
Depth	580 mm
Width with packaging	292 mm
Height with packaging	138 mm
Depth with packaging	582 mm
Packing unit	1 piece
Range	K
GTIN (EAN)	4012799981152

Dimensioned drawing [mm]





WS 75 H MP