

WS 75 RSUP



Short description

Flush-mounting shell kit comprising an installation box (width x height x depth: 534 x 1066 x 152 mm) with integrated drilling template for core drill holes, two heat-insulated wall sleeves with condensate drain channels (diameter: 125 mm, length: 500 mm) and two WS 75 A sheet metal adaptors for the ventilation unit with WS 75 Powerbox H heat recovery (0095.0646)

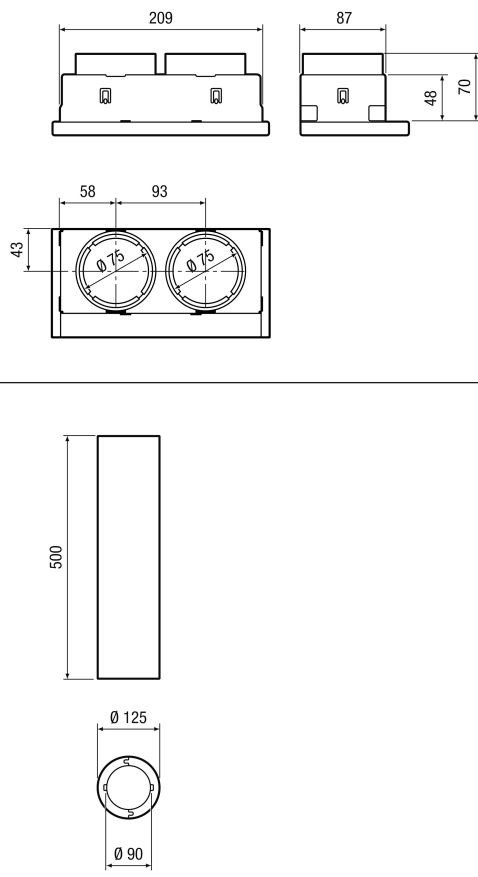
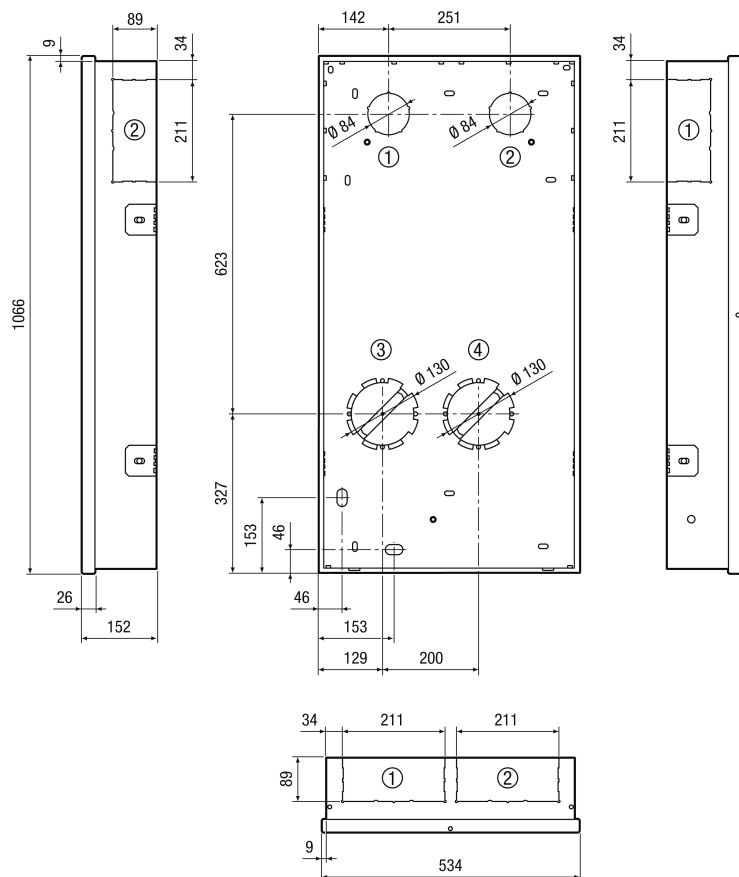
Article number 0093.1616

Technical data

Housing material	Sheet steel, powder coated
Colour	Traffic black, RAL 9017
Weight	9,77 kg
Weight including packaging	11,96 kg
Width	534 mm
Height	1.066 mm
Depth	152 mm
Width with packaging	595 mm
Height with packaging	1.130 mm
Depth with packaging	210 mm
Packing unit	1 piece
Range	K
GTIN (EAN)	4012799992547

WS 75 RSUP

Dimensioned drawing [mm]



- ① Exhaust air
- ② Supply air
- ③ Outside air
- ④ Outgoing air