

# WT 300



## Short description

Heat exchanger in ventilation systems, DN 160

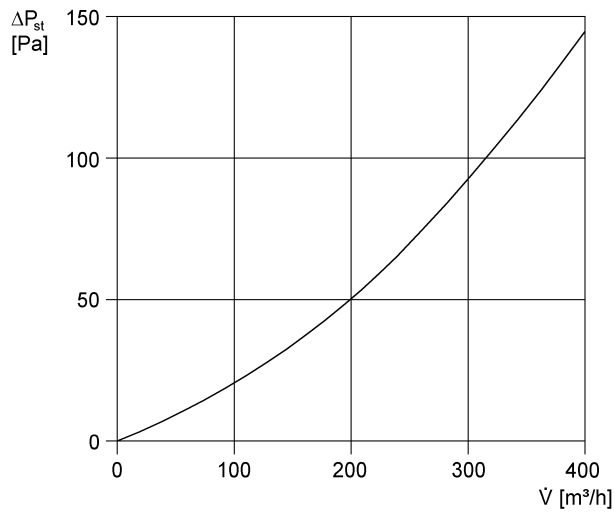
Article number 0152.0020

## Technical data

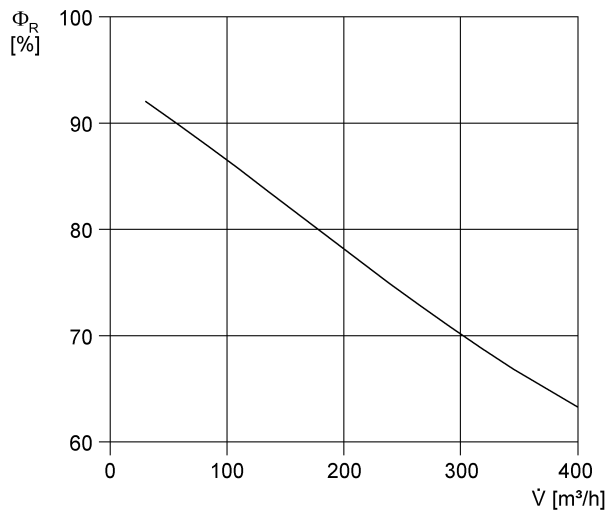
Installation site	Channel
Material	EPS
Weight	7,9 kg
Weight including packaging	10,05 kg
Nominal size	160 mm
Width	550 mm
Height	508 mm
Depth	690 mm
Width with packaging	710 mm
Height with packaging	465 mm
Depth with packaging	570 mm
Ambient temperature	40 °C
Heat exchanger construction type	Cross flow
Packing unit	1 piece
Range	D
GTIN (EAN)	4012799520207

# WT 300

## Characteristic curve Pressure losses

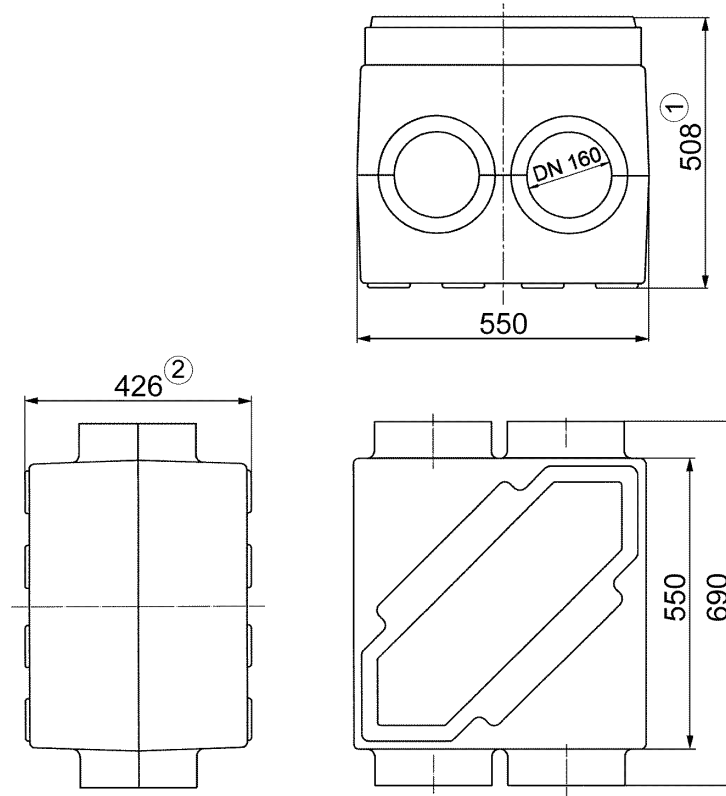


## Characteristic curve Thermal heat recovery rate in concurrent with air volumes



# WT 300

Dimensioned drawing [mm]



- ① With bypass
- ② Without bypass