

# ZEG2 EC



## Short description

Centralised exhaust air unit with humidity sensor/humidity control without heat recovery, with EC technology and wireless remote control

## Application examples

Low-energy house, Single-family house, Apartment, Living room, Redevelopment

Article number 0086.0206

## Technical data

Air flow volume	535 m <sup>3</sup> /h / 600 m <sup>3</sup> /h (System pressure at 200 Pa and/or system pressure at 100 Pa)
Speed controllable	✓
SEC average	-20,6 kWh/(m <sup>2</sup> *a)
Energy efficiency class	D
Type of voltage	Alternating current
Rated voltage	230 V
Frequency	50 Hz
Power consumption	2 W - 85 W
I <sub>max</sub>	0,05 A - 0,8 A
Degree of protection	IP 20
Installation site	Cellar / Storage tank / Jamb wall / Utility room / Heating room / Engineering room
Installation position	vertical / horizontal
System type	Centralised
Material	Synthetic material
Colour	white
Weight	4,59 kg
Weight including packaging	5,14 kg
Connection diameter	125 mm
Width	443 mm
Height	463 mm
Depth	303 mm
Width with packaging	455 mm
Height with packaging	485 mm
Depth with packaging	315 mm
Packing unit	1 piece
Range	K
GTIN (EAN)	4012799862062

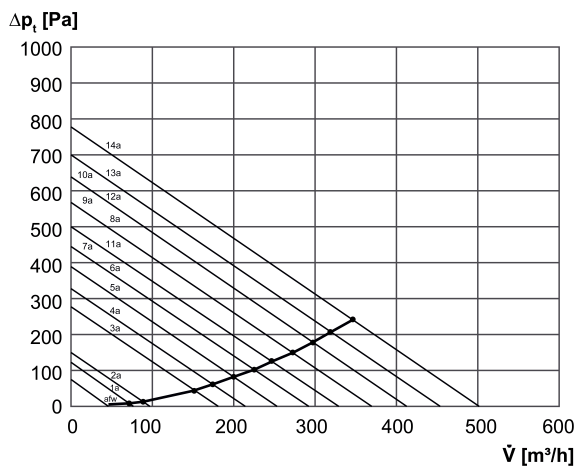
# ZEG2 EC

## Sound power level in octave range

	63 Hz	125 Hz	250 Hz	500 Hz	1 kHz	2 kHz	4 kHz	8 kHz	Total
<b>L<sub>WA2, S1</sub></b> <b>(dB(A))</b>	26	22	17	14	14	16	17	17	28
<b>L<sub>WA2, S2</sub></b> <b>(dB(A))</b>	37	39	34	30	23	20	17	17	37
<b>L<sub>WA2, S3</sub></b> <b>(dB(A))</b>	45	43	50	41	33	29	21	18	46

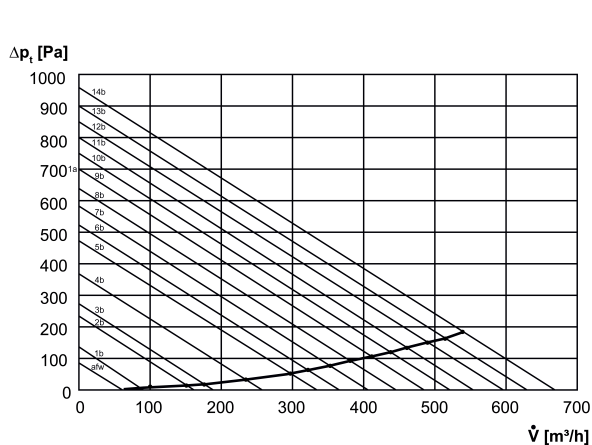
L<sub>WA2</sub>= housing sound power level in dB.  
Measured in accordance with factory setting (3 levels)

## Characteristic curve Pressure losses - DIP switch 7 "Off"



afw - absent  
Factory setting:  
Low (1a)  
Normal (3a)  
High (11a)

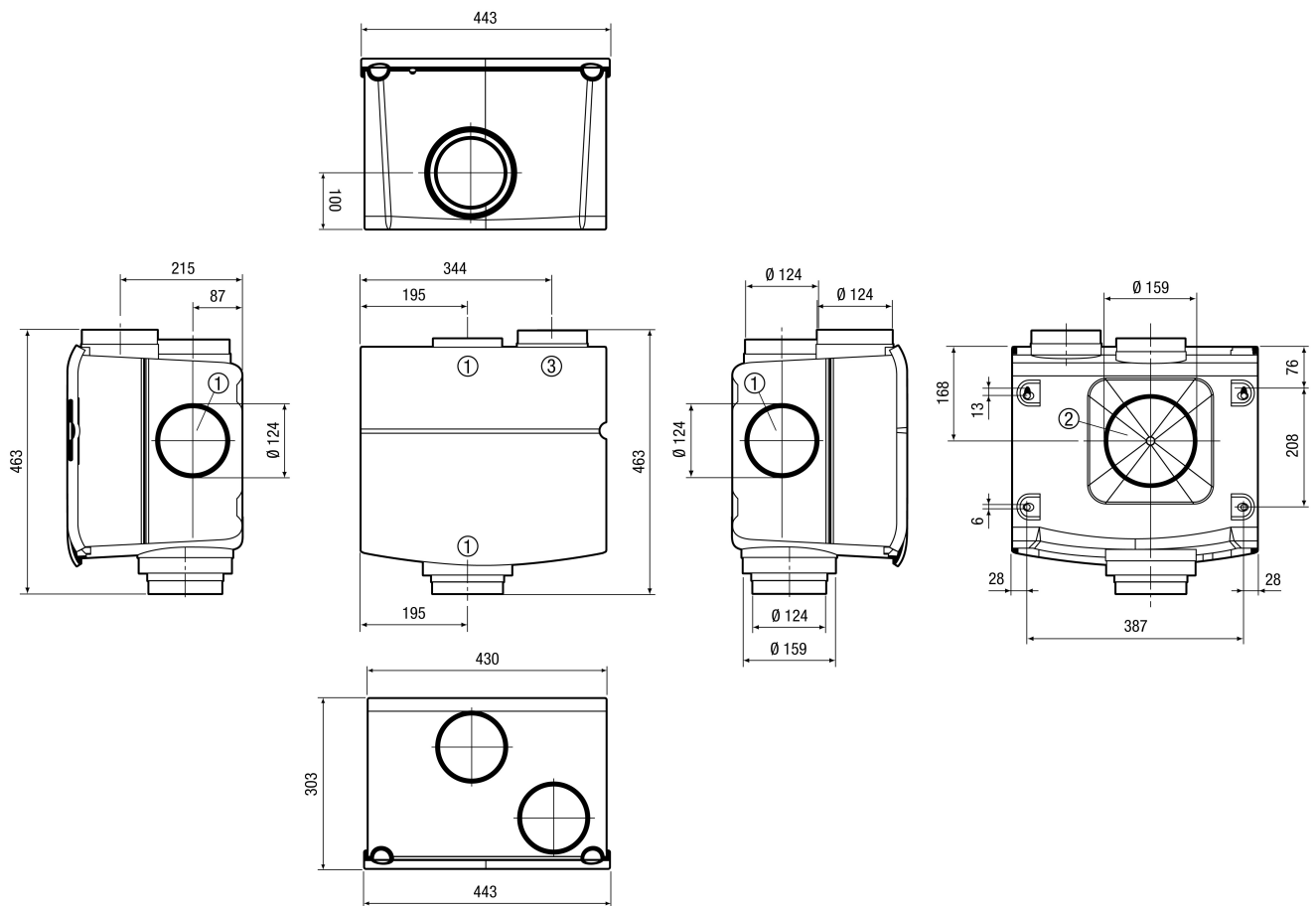
## Characteristic curve Pressure losses - DIP switch 7 "On"



afw - absent

# ZEG2 EC

Dimensioned drawing [mm]



- ① Exhaust air connection
- ② additional exhaust air connection with knockout point
- ③ Outgoing air socket