

ZM 11



Short description

Mounting plate for installing ECA 100 .. small room fans in square shaft openings

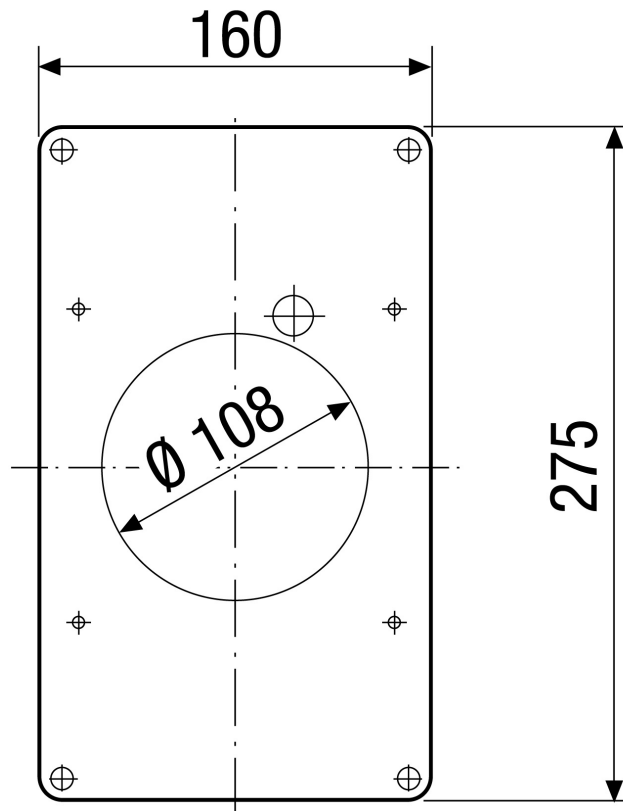
Article number 0059.0696

Technical data

Installation site	Channel
Type of installation	Surface-mounted
Material	Synthetic material
Colour	Traffic white, similar to RAL 9016
Weight	0,1 kg
Weight including packaging	0,1 kg
Suitable for nominal size	100 mm
Width	160 mm
Height	275 mm
Depth	3 mm
Width with packaging	160 mm
Height with packaging	275 mm
Depth with packaging	3 mm
Packing unit	1 piece
Range	A
GTIN (EAN)	4012799596967

ZM 11

Dimensioned drawing [mm]



Material thickness 3 mm